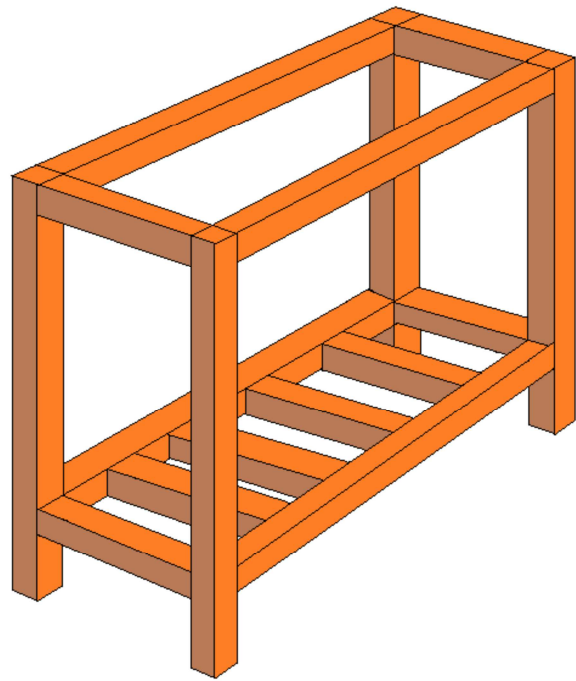


Travertine Paver Side Table



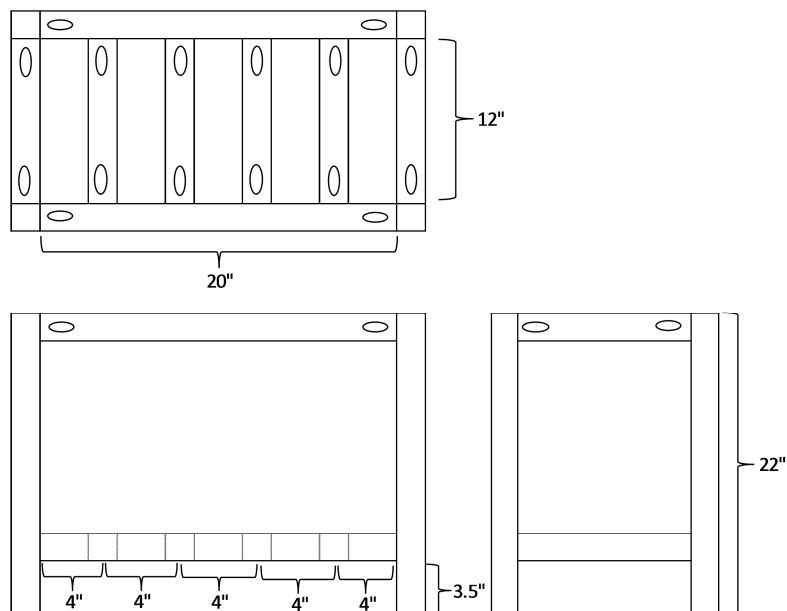
Wood Base: Overall dimensions H=22" x D=23" x W=15"
 Stone top (Antique Parma Travertine Paver): 16" x 24"

Part	Wood	Length	Units	Total inches	Total feet
Legs	2x2	22	4	88	7.33
Long stretchers	2x2	20	4	80	6.67
Short Stretchers	2x2	12	8	96	8.00

2x2 number 1 = four legs

2x2 number 2 = 4 long stretchers

2x2 number 3 = 8 short stretchers



Connect with pocket hole screws. Most pocket holes on this project are on the bottom of the boards, so that they are not visible. Connect the paver to the wood base with liquid nails.