

Dimensions shown in diagram for modern Adirondack chair

## Preparation

### SHOPPING LIST

- 3 - 2x4 @ 104-5/8" long (OR 4 - 2x4 @ 8 feet long or 92-5/9" long)
- 1 - 1x10 @ 10 feet long\*
- 4 - 2-1/2" Kreg Pocket Hole Screws
- 24 - 2-1/2" long self tapping exterior screws (look for the screws with the star bit heads, can be up to 3" long)
- 30 - 1-1/2" long self tapping exterior screws (same type as the longer screws, can be slightly shorter or longer (up to 2"), these screws are just used to attach the seat boards to the frame)

\*If building more than one chair, you only need 9 feet of 1x10 boards per chair. So for two chairs, you could purchase one 8' long 1x10 and one 10' long 1x10.

## CUT LIST

- 5 - 2x4 @ 19-1/2" - legs and horizontal supports
- 2 - 2x4 @ 31-3/4" - arms
- 2 - 2x4 @ 33-1/4" - both ends cut at 20 degrees off square, ends ARE parallel, long point to short point measurement
- 2 - 2x4 @ 32-3/4" - back supports
- 2 - 1x10 @ 22-1/2" - seat
- 3 - 1x10 @ 19-1/2" - back

## CUTTING INSTRUCTIONS

It may be easier to pre-finish your boards before cutting.

## TOOLS



Tape Measure



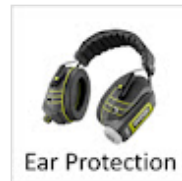
Speed Square



Pencil



Safety Glasses



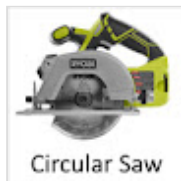
Ear Protection



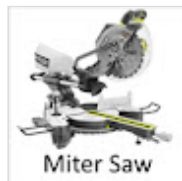
Kreg Jig



Drill



Circular Saw



Miter Saw



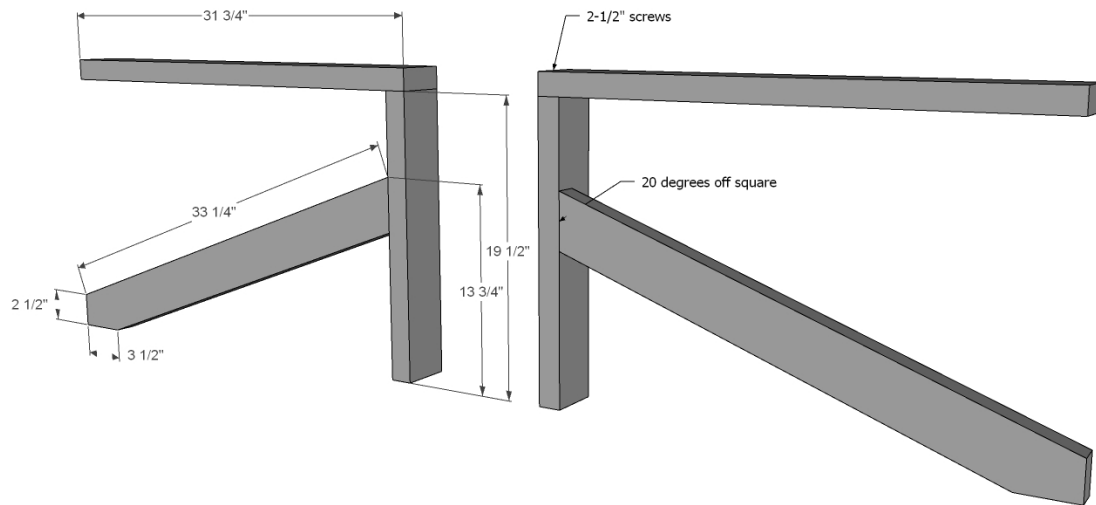
Sander

## GENERAL INSTRUCTIONS

Work on a flat level surface.

# Instructions

## STEP 1



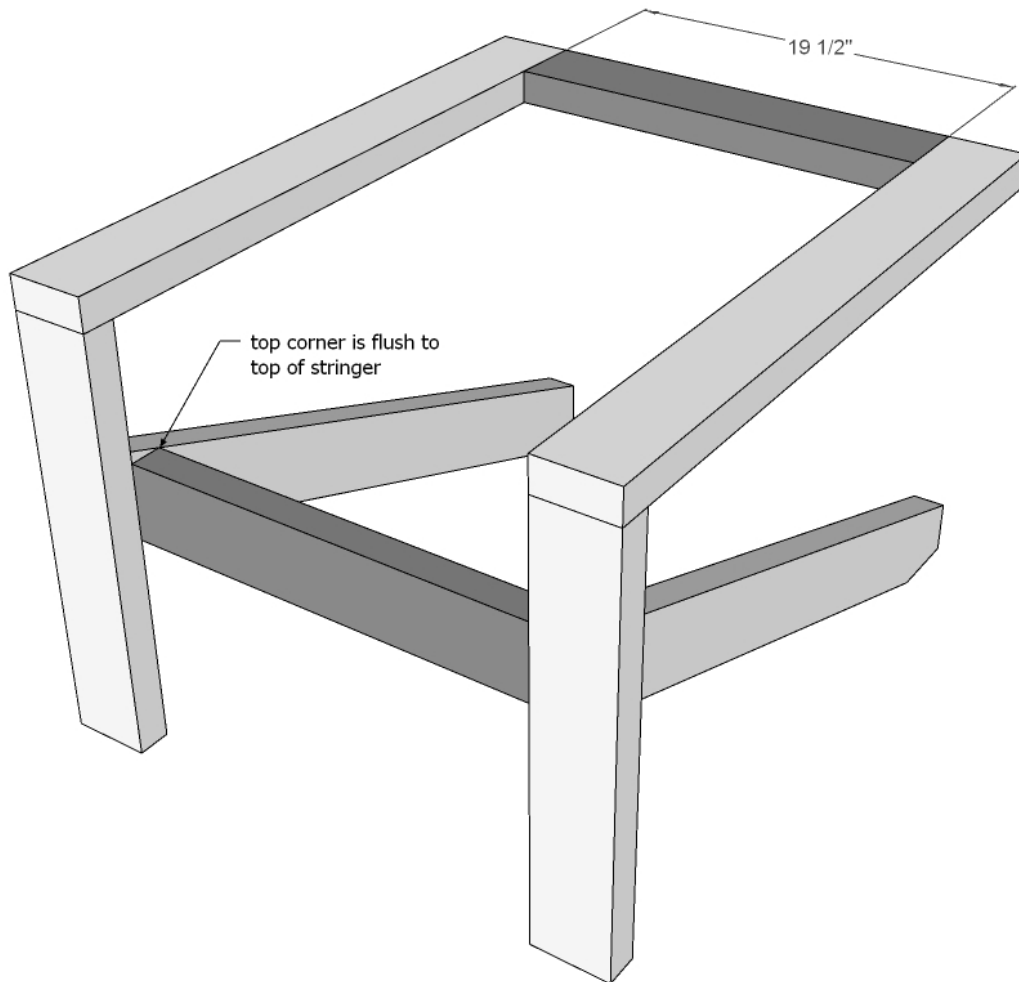
(/sites/default/files/2020-04/2x4%20modern%20adirondack%20chair%20step%201.jpg)

As shown in the video, cut the chair stringers at a 90 degree angle at the foot of the stringer with a circular saw.

Build the arms with the 2-1/2" long screws and exterior wood glue.

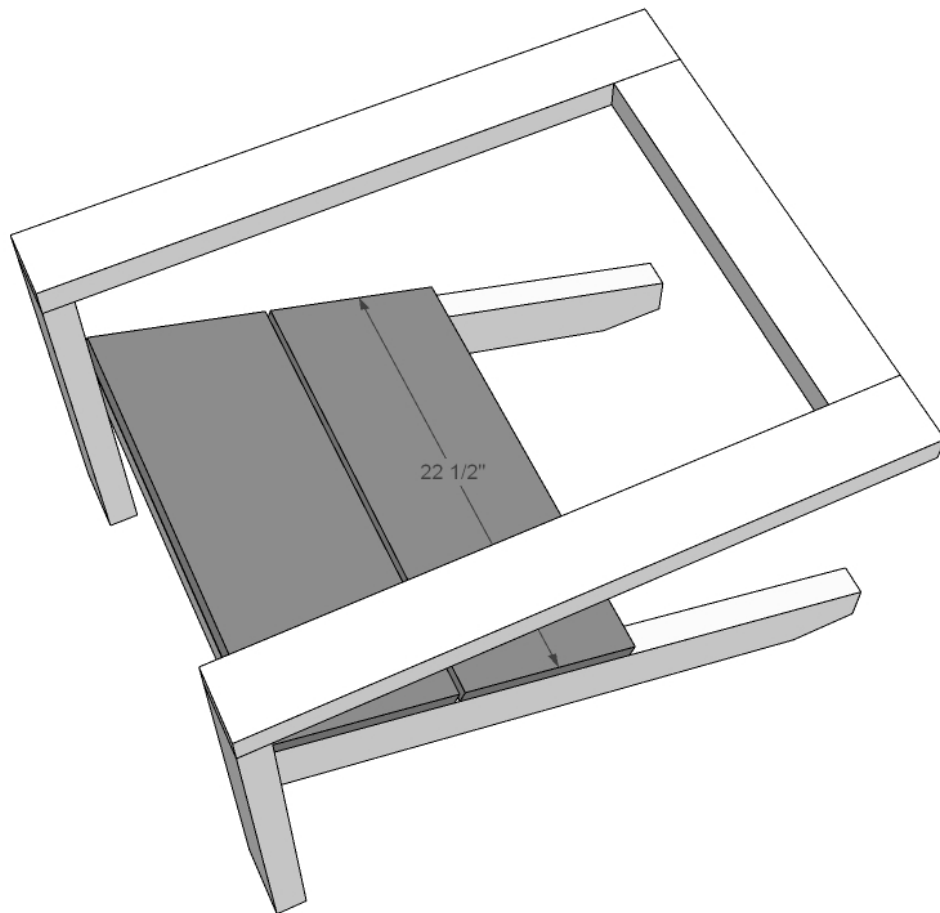
Make sure the two arms are built the same but in mirror as shown in the diagram.

## STEP 2



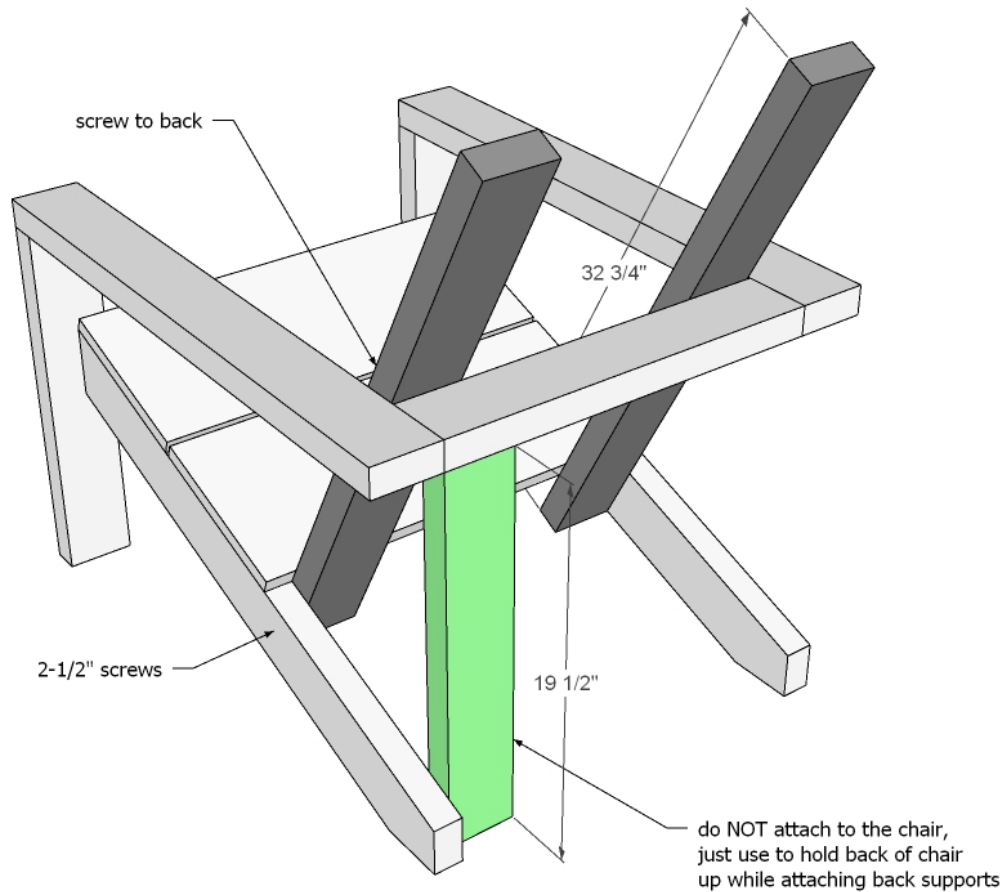
(/sites/default/files/2020-04/2x4%20modern%20adironack%20chair%20step%202.jpg)  
Drill two 1-1/2" pocket holes on both ends of two of the 19-1/2" long 2x4s. Attach with 2-1/2" screws to the Adirondack chair frame.

### STEP 3



(/sites/default/files/2020-04/2x4%20modern%20adirondack%20chair%20step%203.jpg)  
Lay the seat boards on the 2x4 frame and attach with three 1-1/2" long screws per end of each 1x10 to the seat frame. Leave about 1/4" gap in between the seat frame for water drainage.

## STEP 4



(/sites/default/files/2020-04/2x4%20modern%20adirondack%20chair%20step%204.jpg)

Place the remaining 2x4 @ 19-1/2" long under the back of the chair as shown in the diagram.

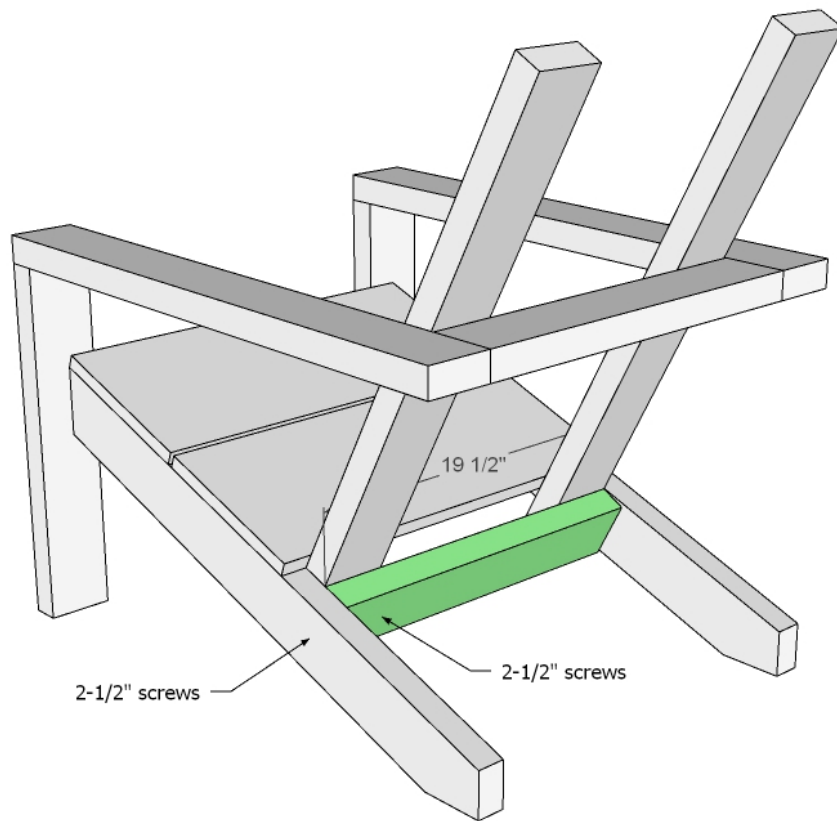
Place one seat support in the chair and hold flush to the bottom of the stringer.

Attach with screws to the stringer and to the back support.

Move to the other side of the chair and repeat with the second back support.

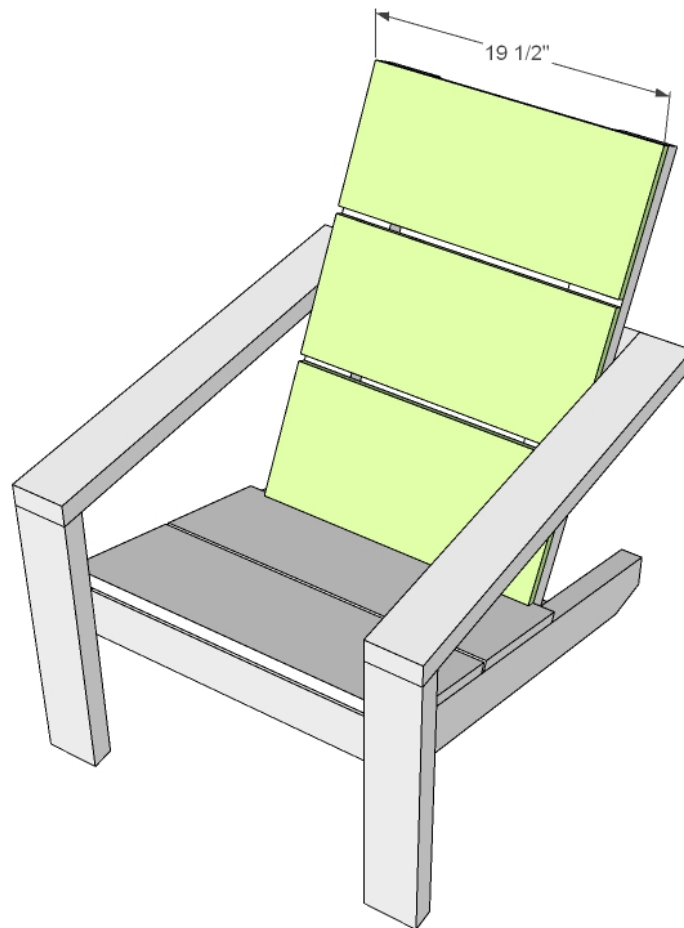
Remove the 2x4 @ 19-1/2" long.

## STEP 5



(/sites/default/files/2020-04/2x4%20modern%20adirondack%20chair%20step%205.jpg)  
Attach the 2x4 @ 19-1/2" to the base of the chair with screws.

## STEP 6



(/sites/default/files/2020-04/2x4%20modern%20adirondack%20chair%20step%206.jpg)

Starting at the top and working downward, attach the seat back boards to the back of the chair. Make sure you leave a gap at the base of the back to allow for good water drainage. Evenly split the gaps for best visual presentation.