

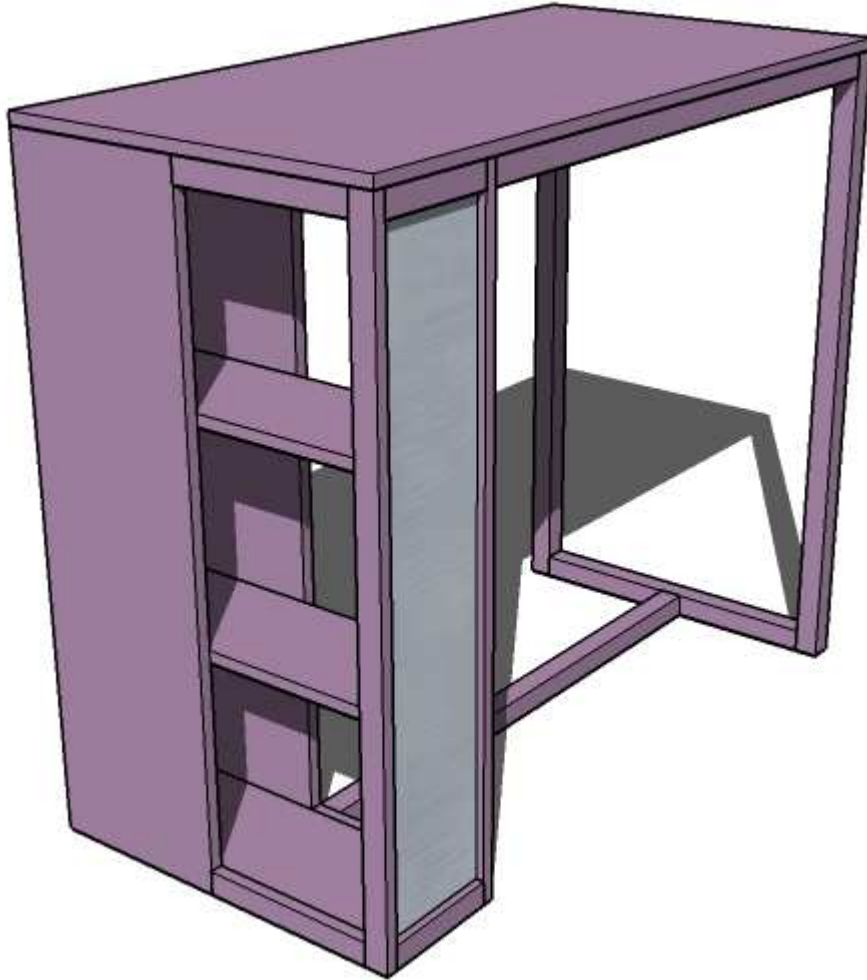
# ANAWHITEKNOCK-OFFWOOD

100s OF FREE AND EASY KNOCK-OFF FURNITURE PLANS TO SAVE YOU \$1000s

PLANS: Dorm Desk

Compare to: CB2

Skill Level: Intermediate



## Dorm Desk

Functionality. Simple. Storage. I think that's my style calling. And this desk fits it. Bar height so you can use it to dine off of, or work height if you prefer to work on a stool. Optional magnetic or corkboard panel to post photos and notes. The perfect dorm desk.

Copyrighted Material

See [www.knock-offwood.com](http://www.knock-offwood.com) for full disclaimer

# ANAWHITEKNOCK-OFFWOOD

100s OF FREE AND EASY KNOCK-OFF FURNITURE PLANS TO SAVE YOU \$1000s

PLANS: Dorm Desk

## SHOPPING LIST

Quantity	Description
1	1x8, 12' Length
1	1x12, 8' Length
2	1x2, 8' Length
3	2x2, 8' Length
1	24" x 36" Pine Project Panel
	1 ¼" and 2" Finish Nails
	2" Wood Screws
1	Small Tube Wood Glue
	Finishing Supplies including wood filler and sandpaper, knobs or pulls

## RECOMMENDED TOOLS

Measuring Tape, Square, Saw, Finish Nailer, Drill with Countersink Bits, Sander, Clamps, Compass or Mittersaw

## CUT LIST

	Quantity	Board	Length	Description
A	1	1x8	41 1/4"	Side End
B	4	1x8	22 ½"	Shelves
C	2	1x12	41 1/4"	Wide Sides
D	3	1x2	7 1/2"	Trim
	2	1x2	41 1/4"	Side Trim
E	4	1x2	11"	Shelf Trim
F	1	24" x 36" Project Panel	24" x 36"	Tabletop
G	2	2x2	37 1/2"	Side Aprons
H	2	2x2	21"	Bottom and Top of Leg Piece
I	2	2x2	41 ¼"	Legs
J	1	2x2	37 ½"	Stretcher

## IN GENERAL

Refer to the blog at [www.knock-offwood.com](http://www.knock-offwood.com) for any comments or suggestions for this plan. Always wear necessary safety equipment and take safety precautions. Check for square after each step. Measure all joints out and mark clearly with a square on BOTH sides of the joint (so you know where to nail). Use glue unless otherwise stated. Always predrill and countersink any screws. If you are using MDF, avoid fastening too close to the edges to avoid splitting your MDF.

Copyrighted Material

See [www.knock-offwood.com](http://www.knock-offwood.com) for full disclaimer

# AN WHITE KNOCK-OFF WOOD

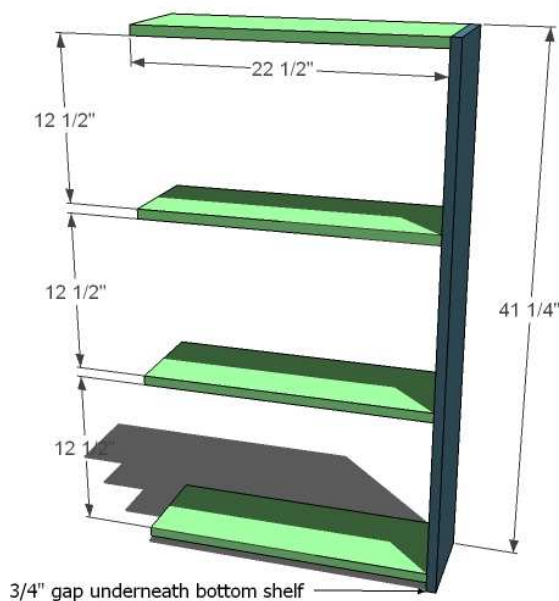
100s OF FREE AND EASY KNOCK-OFF FURNITURE PLANS TO SAVE YOU \$1000s

PLANS: Dorm Desk



## DIMENSIONS AND COMPOSITION

Dimensions are shown above. Most inexpensive composition is pine boards (or whitewood boards) and a pine project panel for the table top.



## STEP 1: BUILD THE BOX

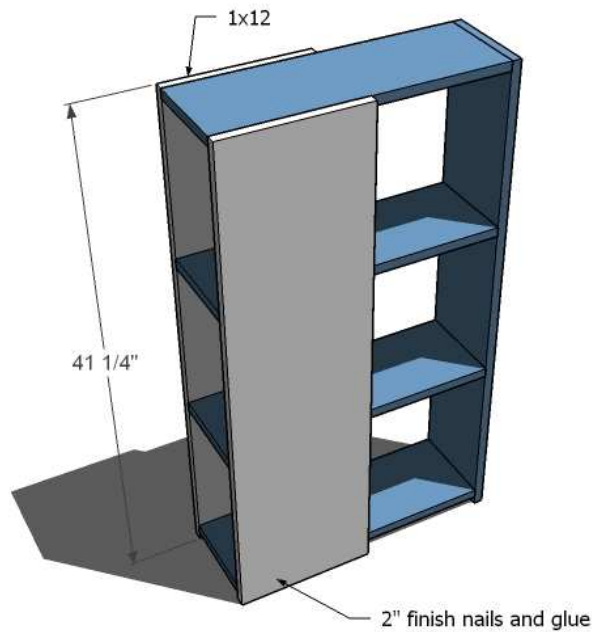
Screw the shelves to the side end as shown in the diagram. Pocket holes are the best bet, but you can also use 2" screws and glue countersunk from the outsides. Take note of the shelf spacing for the next step – remember, each shelf is 3/4" thick.

See [www.knock-offwood.com](http://www.knock-offwood.com) for full disclaimer

# ANAWHITEKNOCK-OFFWOOD

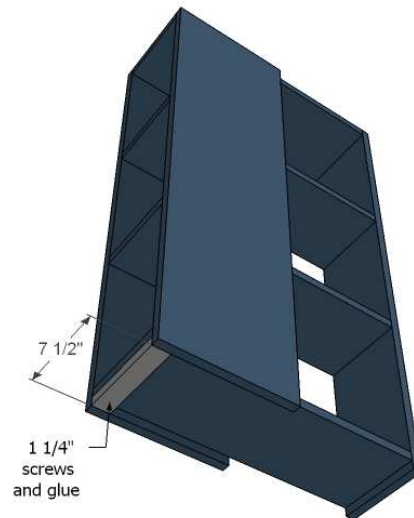
100s OF FREE AND EASY KNOCK-OFF FURNITURE PLANS TO SAVE YOU \$1000s

PLANS: Dorm Desk



## STEP 2: WIDE SIDES

Mark the sides for the shelves, as shown in step 1. Attach the sides to the shelves with 2" finish nails and glue.



## STEP 3: BOTTOM TRIM

Attach the bottom trim as shown in the diagram. Keep outside edges flush.



## STEP 4: SIDE TRIM

More trim. Attach as shown in the diagram.

See [www.knock-offwood.com](http://www.knock-offwood.com) for full disclaimer

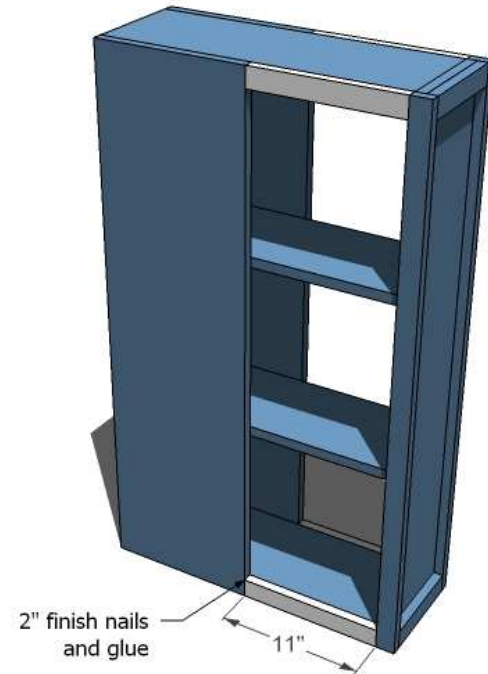
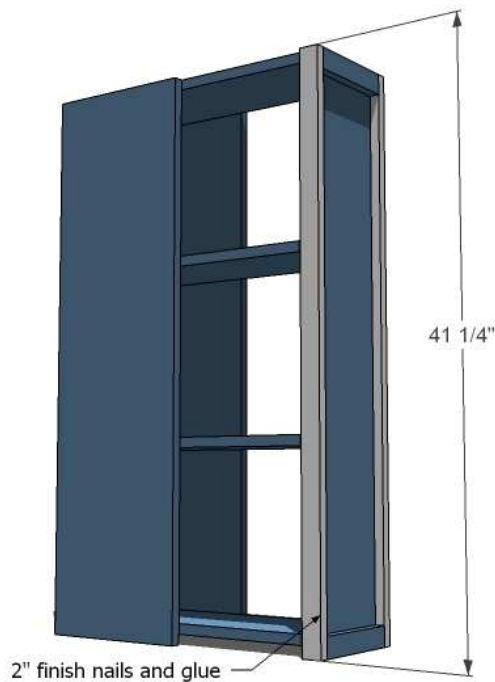
# ANAWHITEKNOCK-OFFWOOD

100s OF FREE AND EASY KNOCK-OFF FURNITURE PLANS TO SAVE YOU \$1000s

PLANS: Dorm Desk

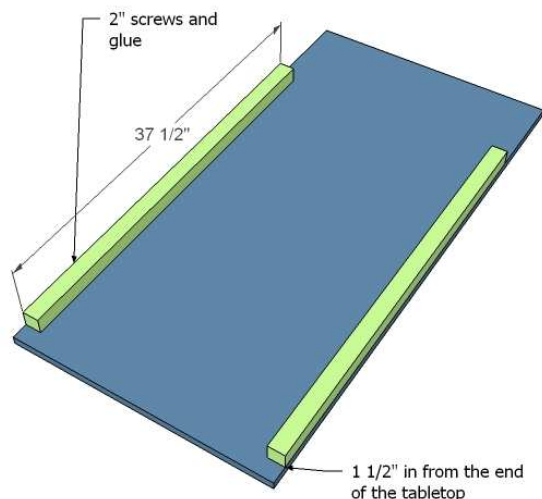
## STEP 5: SIDE TRIM

Attach the side trim as shown in the diagram.



## STEP 6: TOP AND BOTTOM SHELF TRIM

Attach the top and bottom shelf trim as shown in the diagram.



## STEP 7: SIDE APRONS

Use 2" screws and glue to attach the side aprons to the tabletop, keeping outside edges flush. Notice how the side apron is set back 1 1/2" ?

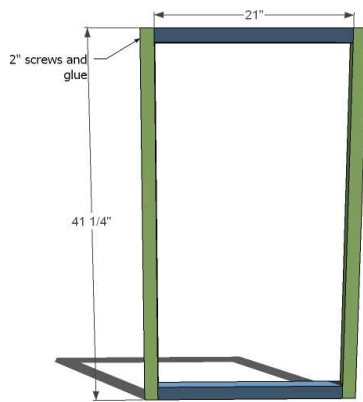
Copyrighted Material

See [www.knock-offwood.com](http://www.knock-offwood.com) for full disclaimer

# ANA WHITE KNOCK-OFF WOOD

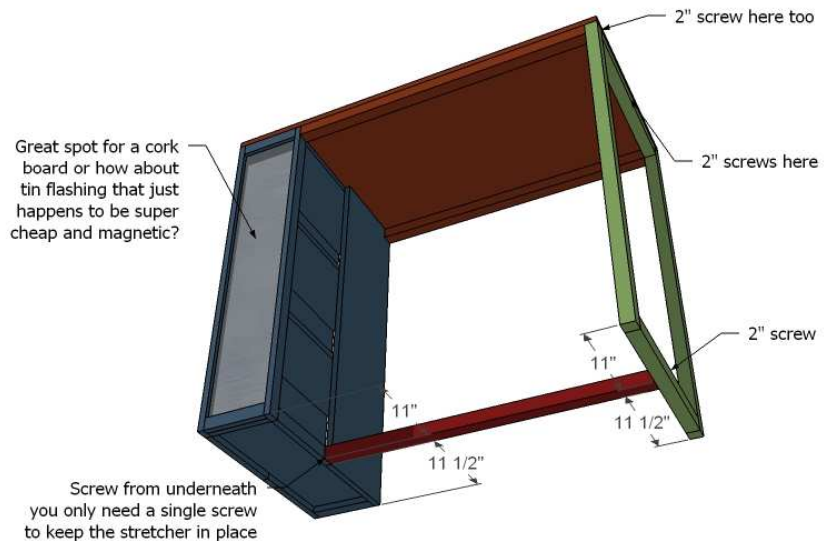
100s OF FREE AND EASY KNOCK-OFF FURNITURE PLANS TO SAVE YOU \$1000s

PLANS: Dorm Desk



## STEP 8: LEGS

Build the leg assembly as shown here, using 2" screws and glue.



## STEP 9: ASSEMBLY

Assemble as shown in the diagram, without using glue. Use screws.

## FINISHING

Fill all holes with wood filler. Sand with coarse sandpaper. Fill holes with wood filler again, and sand with medium grit sandpaper. Then finish with a fine sandpaper. Always sand in the direction of the wood grain. If you are painting, prime, painting the insides first, outsides last. Add two coats of paint. You can add a clear top coat if you wish. For staining, always test out a scrap piece, with wood filler. If the wood filler is not taking stain, you may wish to buy a color coordinated wood filler and fill your holes with this. If the stain is going on blotchy, you may need to apply a wood conditioner prior to the stain. Apply a top coat if necessary.

It is highly recommended that the hutch be secured to the desk and also a stud in the wall behind the desk. Failure to do so could result in injury or even death. Build and use at your own risk. For full disclaimer, visit [www.ana-white.com](http://www.ana-white.com)

Copyrighted Material

See [www.knock-offwood.com](http://www.knock-offwood.com) for full disclaimer