

ANAWHITEKNOCK-OFFWOOD

100s OF FREE AND EASY KNOCK-OFF FURNITURE PLANS TO SAVE YOU \$1000s

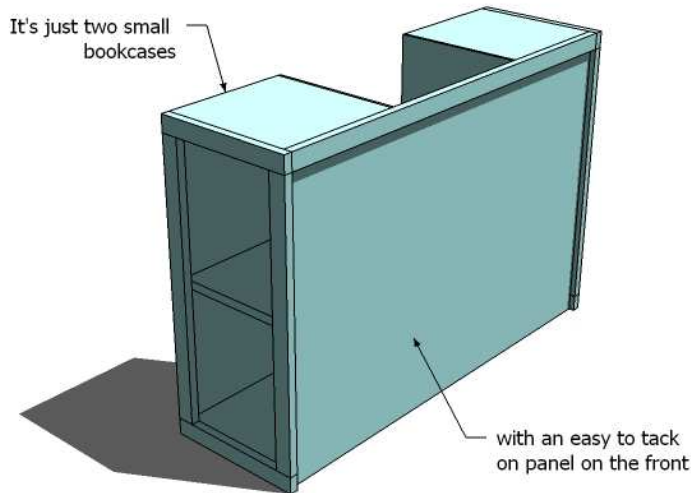
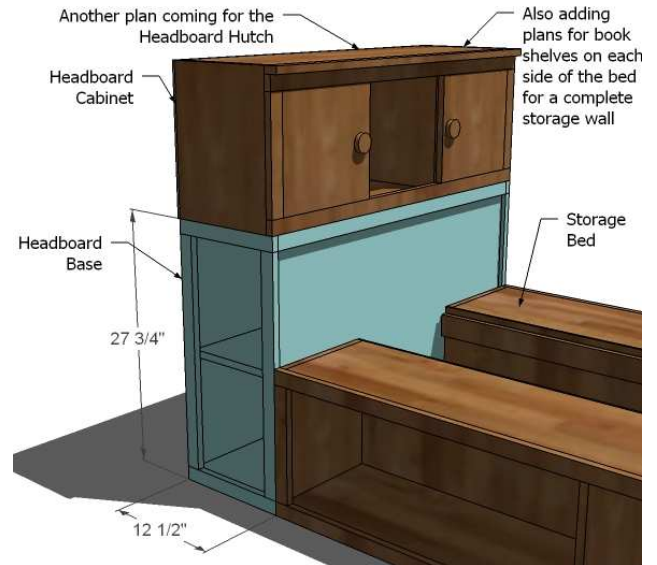
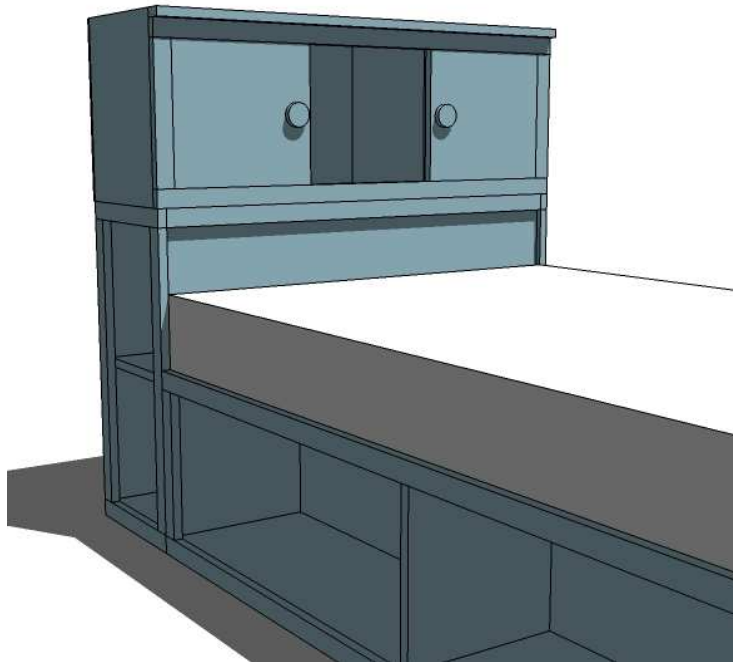
PLANS: Storage Headboard Base Unit

Compare to: Pottery Barn Teen Storage Bed Hutch

Skill Level: Beginner

Estimated Cost of Lumber:

Also shown is Twin Storage Bed, Twin Storage Headboard Cabinet



The storage headboard is the perfect solution to a messy teen's (or even kids) room. Utilizing storage under the bed using the Twin Storage Bed plans, **plus** side storage perfect for books and magazines **PLUS** more storage directly above the headboard to keep things like alarm clocks handy without needing a nightstand.

This plan is for the Twin Storage Headboard Base Unit, shown above in blue. With easy modifications, you can also scale the base unit to match the Full Size Storage Bed. Additional plans will be added to create an entire storage wall to contain everything in your child's room.

ANAWHITEKNOCK-OFFWOOD

100s OF FREE AND EASY KNOCK-OFF FURNITURE PLANS TO SAVE YOU \$1000s

SHOPPING LIST

Quantity	Description	Notes
1	Sheet of ¼" Plywood, Beadboard or MDF	For the backs of the bookshelves and the headboard panel
2	1x12 Boards, 8' Long	Cut a Bookshelf out of Each
2	1x2 Boards, 8' Long	Trim Boards
	2" Nails	You can also use wood screws
	1" Brad Nails	Nothing wrong with the ones you tack on with a hammer if you are sans a nailer
	1 ¼" Screws	Just a few
	1" Screws	For the headboard panel
	Sandpaper	Grits from coarse to fine
	Wood Filler	

RECOMMENDED TOOLS

Measuring Tape, Square, Saw, Drill or Nailer, Sander, Clamps

CUT LIST

Quantity	Board	Cut Length	Description
4	1x12	27"	Bookshelf Sides
4	1x12	10 ¼"	Bookshelf Shelves
2	1x12	11 ¾"	Bookshelf Tops
2	¼" Plywood	11 ¾" x 27 ¾"	Backs of Bookshelves
4	1x2	24 ¾"	Side Trim
4	1x2	12 ½"	Top and Bottom Trim
1	1x2	39"	Top Tie-In Trim
1	¼" Plywood	39"x24"	Headboard Panel

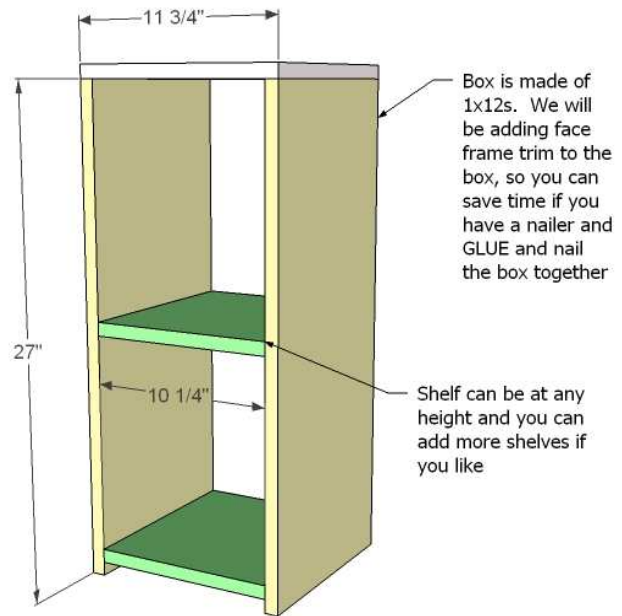
ANAWHITEKNOCK-OFFWOOD

100s OF FREE AND EASY KNOCK-OFF FURNITURE PLANS TO SAVE YOU \$1000s

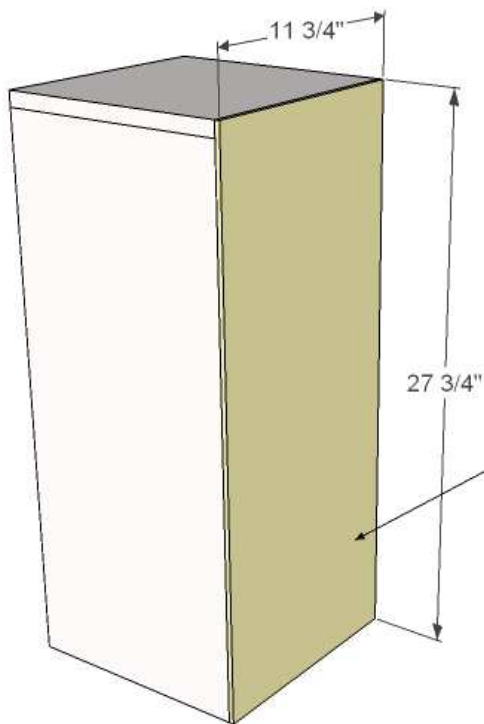
STEP 1: BUILD THE BOX

Begin by building the box as shown to the left. You can use screws, pocket holes, or even nails, as all joints will be reinforced from the side grain with a face frame and plywooded back. Just don't forget the glue and be sure to check for square.

Shelves can be at any height. Remember



to build two of these.



Tack on the back with glue and 1" nails. Make sure you also nail to any fixed shelves for added strength

STEP 2: BACK

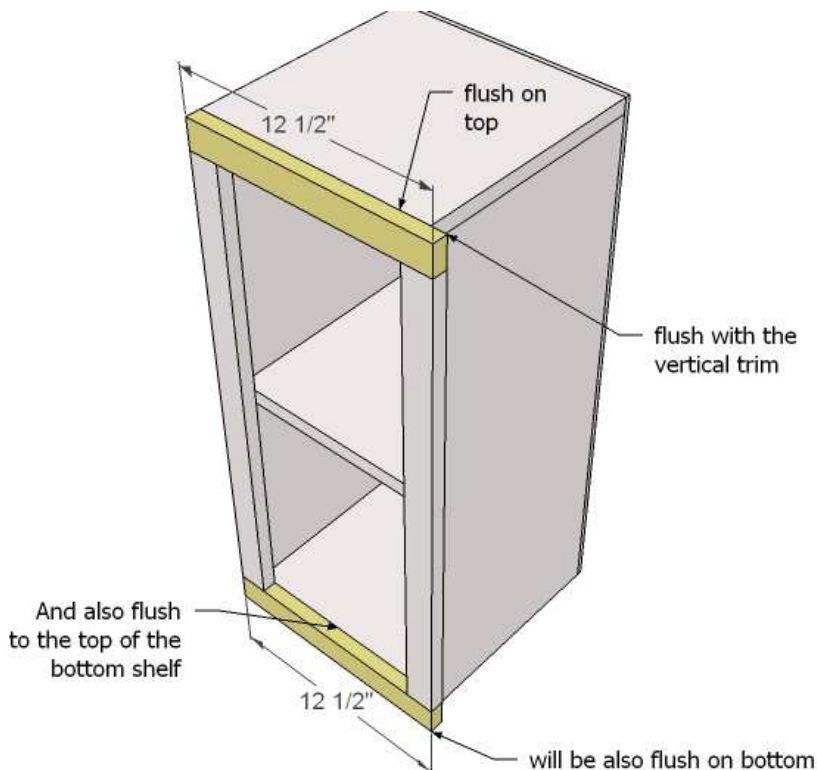
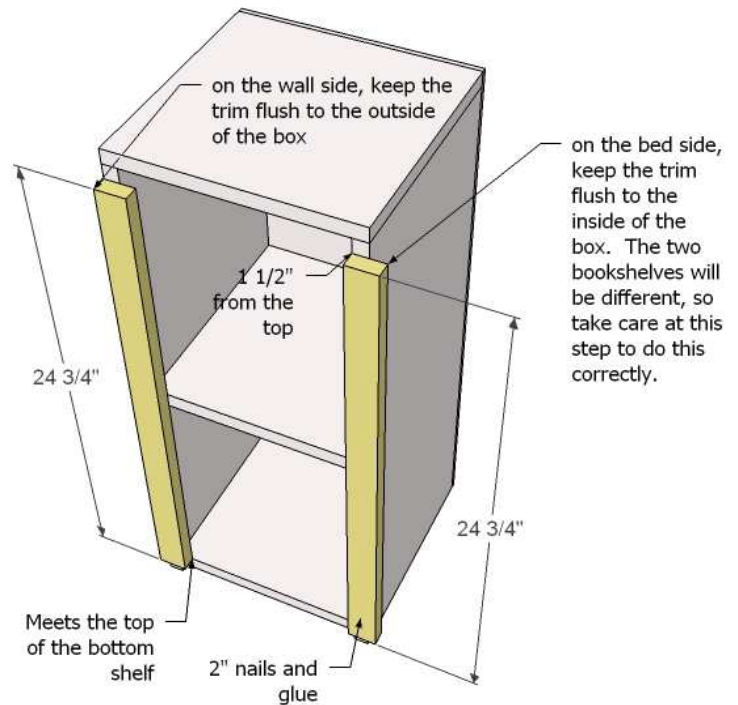
Add plywood to the back of the box as shown to the right.

ANAWHITEKNOCK-OFFWOOD

100s OF FREE AND EASY KNOCK-OFF FURNITURE PLANS TO SAVE YOU \$1000s

STEP 3: SIDE TRIM

Attach the side trim with 2" nails and glue, as shown to the left. Make sure you trim the two bookshelves out in opposite, because the trim needs to overhang on the headboard sides with the bookshelves facing outward.

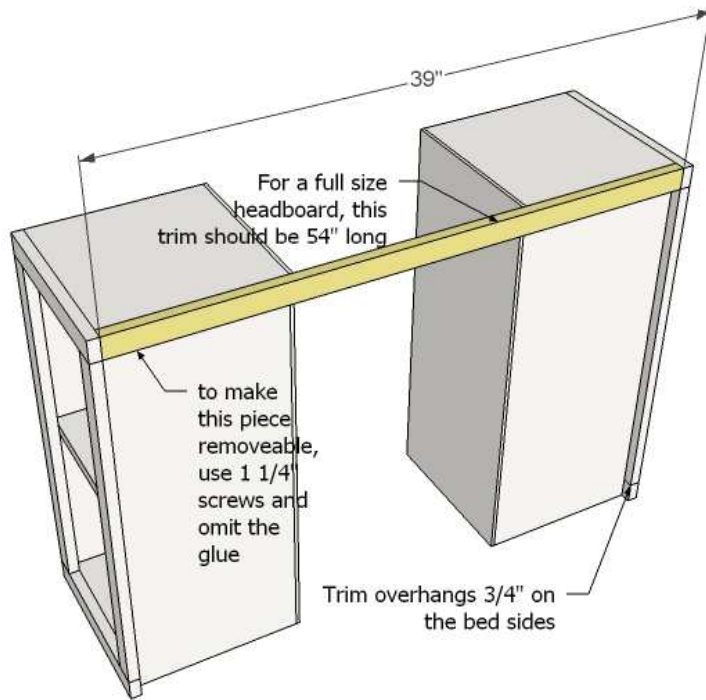


STEP 4: TOP AND BOTTOM TRIM

This step should be easy if you correctly followed step 3. Simply tack on the top and bottom trim as shown here, using 2" nails and glue. Outside edges should be flush.

ANAWHITEKNOCK-OFFWOOD

100s OF FREE AND EASY KNOCK-OFF FURNITURE PLANS TO SAVE YOU \$1000s



STEP 5: TOP TRIM

Attach the top trim with 1 1/4" screws so that you can dis assemble the headboard easily. Keep top edges flush

FULL SIZE MODIFICATION

The trim piece needs to be 54" long to fit a full size bed.

STEP 6: HEADBOARD PANEL

Attach the headboard panel with 1" screws and NO glue.

FULL SIZE MODIFICATION

The headboard panel piece needs to be 54" long to fit a full size bed.

