

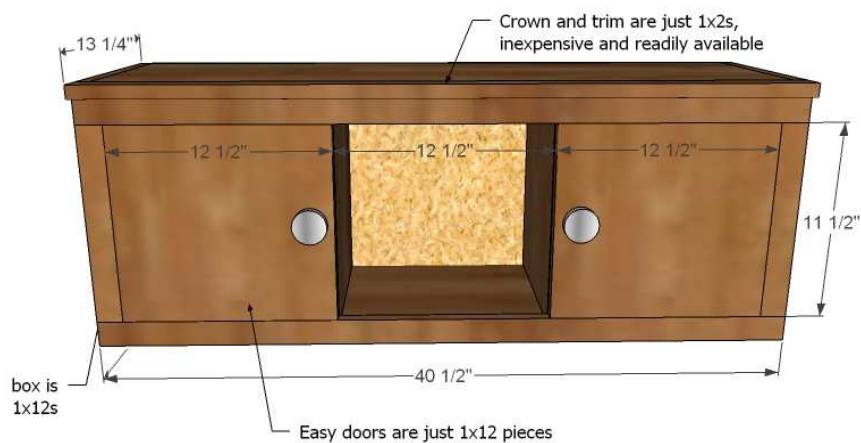
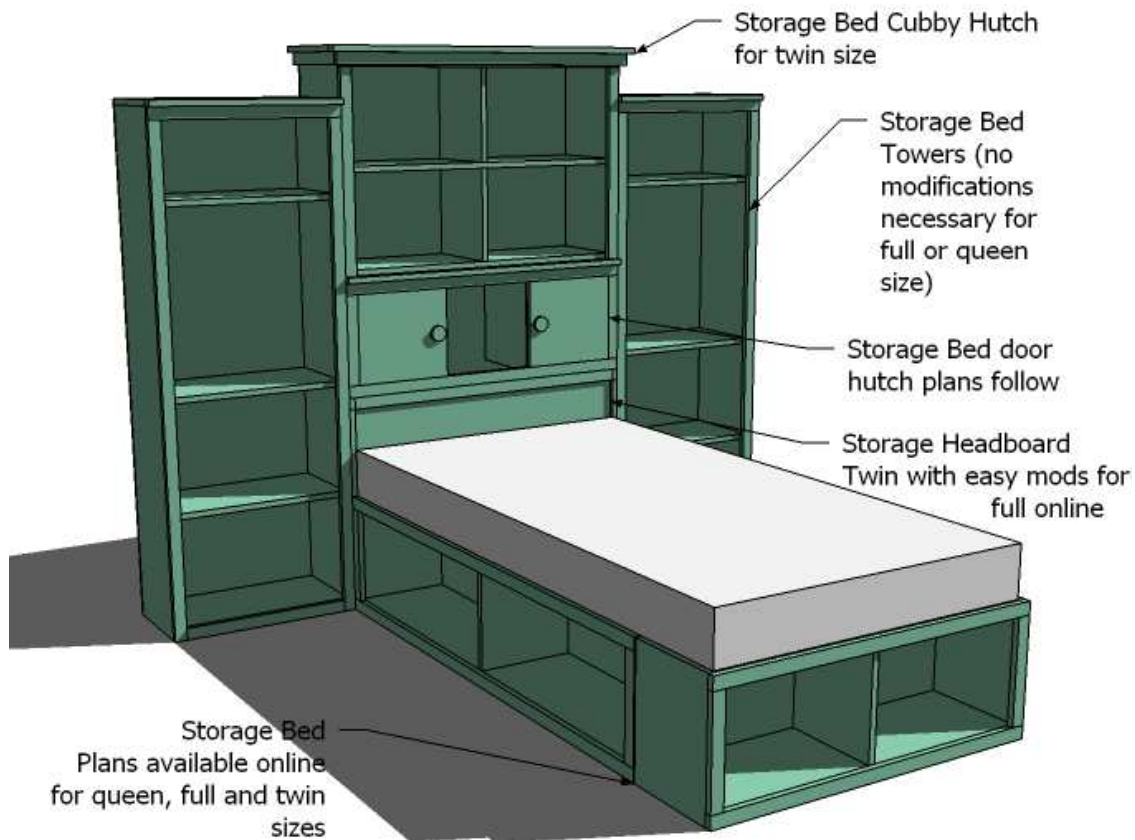
# ANAWHITEKNOCK-OFFWOOD

100s OF FREE AND EASY KNOCK-OFF FURNITURE PLANS TO SAVE YOU \$1000s

PLANS: Storage Bed Door Hutch, Twin with Easy Modifications for Full Size

Compare to: Pottery Barn Teen Storage Bed System

Skill Level: Beginner



Working with the rest of the components in the Storage Bed Collection, the Small Hutch fits on top of the Storage Headboard and will keep necessities close by but hidden behind doors.

Copyrighted Material

[www.knock-offwood.com](http://www.knock-offwood.com)

# ANAWHITEKNOCK-OFFWOOD

100s OF FREE AND EASY KNOCK-OFF FURNITURE PLANS TO SAVE YOU \$1000s

PLANS: Storage Bed Door Hutch, Twin with Easy Modifications for Full Size

## SHOPPING LIST

Quantity	Description	Notes
1	Piece of 1/4" Plywood, Beadboard or MDF	For the back
2	1x12 Boards, 8' Long	Cut the longest cuts first
2	1x2 Boards, 8' Long	Trim Boards
	2" Nails	You can also use wood screws
	1" Brad Nails	Nothing wrong with the ones you tack on with a hammer if you are sans a nailer
	1 1/4" Screws	Just a few
	1" Screws	For the headboard panel
	Sandpaper	Grits from coarse to fine
	Wood Filler	

## RECOMMENDED TOOLS

Measuring Tape, Square, Saw, Drill or Nailer, Sander, Clamps

## CUT LIST

Quantity	Board	Cut Length	Description
2	1x12	39"	Sides
2	1x12	15 1/4"	Ends
2	1x12	13 3/4"	Dividers
1	1/4" Plywood	15 3/4" x 40 1/2"	Back
3	1x2	40 1/2"	Top and Bottom Trim
2	1x2	11 1/2"	Side Trim
2	1x12	12 1/2"	Doors

## IN GENERAL

Refer to the blog at [www.knock-offwood.com](http://www.knock-offwood.com) for any comments of suggestions for this plan. Always wear necessary safety equipment and take safety precautions. Check for square after each step. Measure all joints out and mark clearly with a square on BOTH sides of the joint (so you know where to nail). Use glue unless otherwise stated. Always predrill and countersink any screws. If you are using MDF, avoid fastening too close to the edges to avoid splitting your MDF.

# ANAWHITEKNOCK-OFFWOOD

100s OF FREE AND EASY KNOCK-OFF FURNITURE PLANS TO SAVE YOU \$1000s

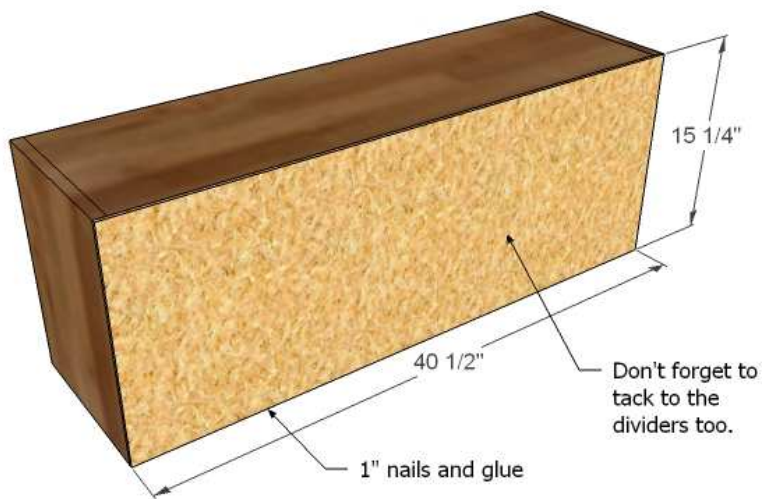
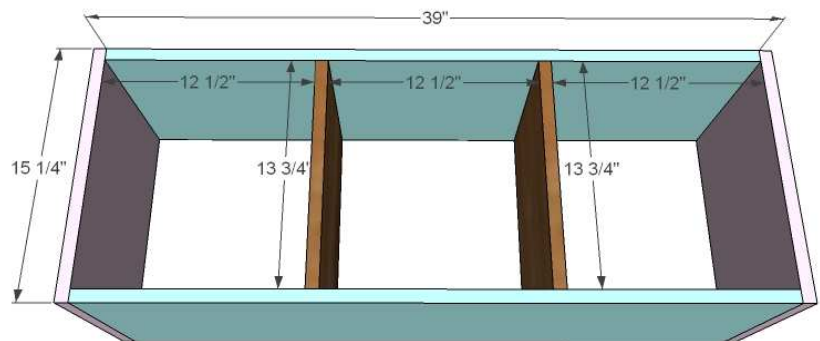
PLANS: Storage Bed Door Hutch, Twin with Easy Modifications for Full Size

## STEP 1: BUILD THE BOX

Build the box as shown here. You can use 2" nails and glue, or screws.

### FULL SIZE MODIFICATIONS

Cut the sides at 54" and place the shelves in 17 1/2" instead of 12 1/2"



## STEP 2: BACK

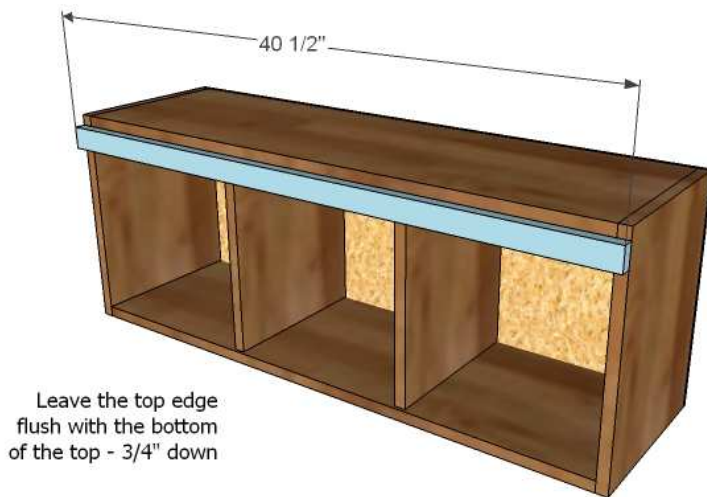
Add plywood to the back of the box as shown to the left. Keep outside edges flush and square.

# ANAWHITEKNOCK-OFFWOOD

100s OF FREE AND EASY KNOCK-OFF FURNITURE PLANS TO SAVE YOU \$1000s

PLANS: Storage Bed Door Hutch, Twin with Easy Modifications for Full Size

## STEP 3: HEADER BOTTOM

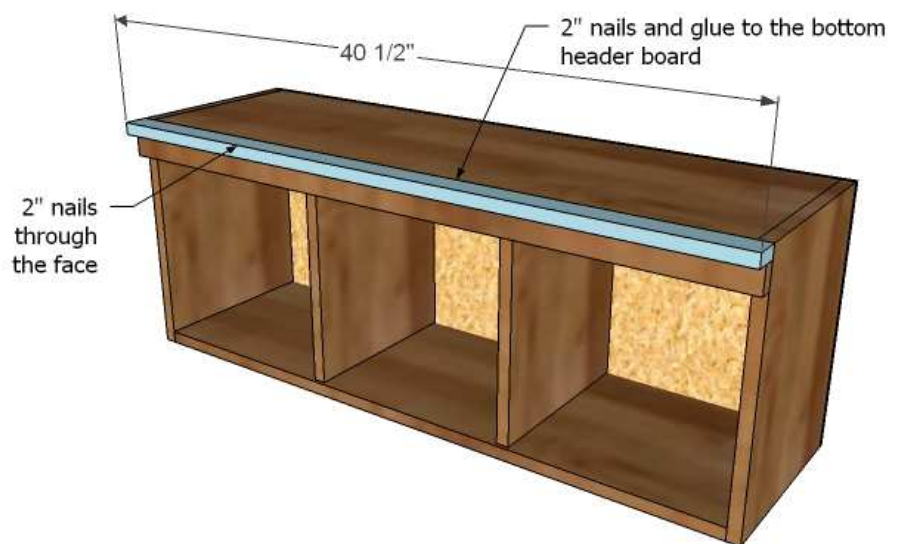


Attach with glue and 2" nails the header bottom piece, as shown here. Keep outside edges flush and maintain a  $\frac{3}{4}$ " gap on the top of the board. **TIP:** lay a second 1x2 (as done in step 4) on top and keep the top of the top 1x2 flush with the top of the project to help guide you in placing this board.

**FULL SIZE MODIFICATIONS:** Cut the long 1x2 trim boards even longer – 15" longer at  $55 \frac{1}{2}$ "

## STEP 4: HEADER TOP

Attach the top header piece as shown here, using glue and 2" nails.

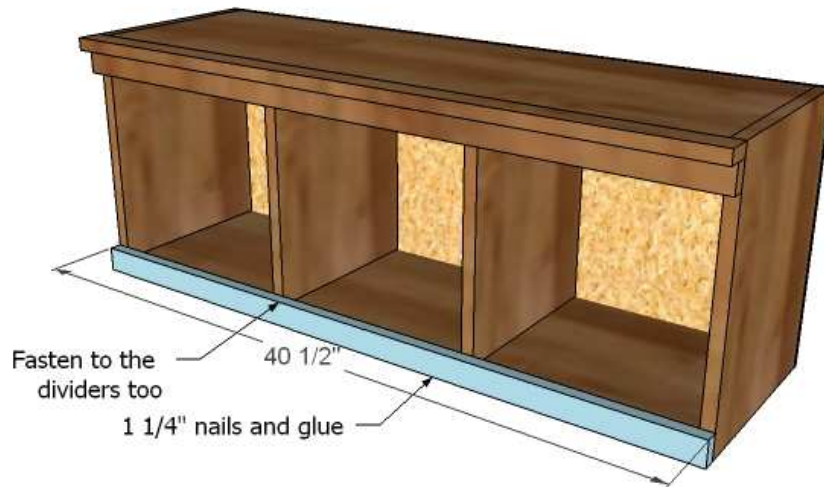


# ANAWHITEKNOCK-OFFWOOD

100s OF FREE AND EASY KNOCK-OFF FURNITURE PLANS TO SAVE YOU \$1000s

PLANS: Storage Bed Door Hutch, Twin with Easy Modifications for Full Size

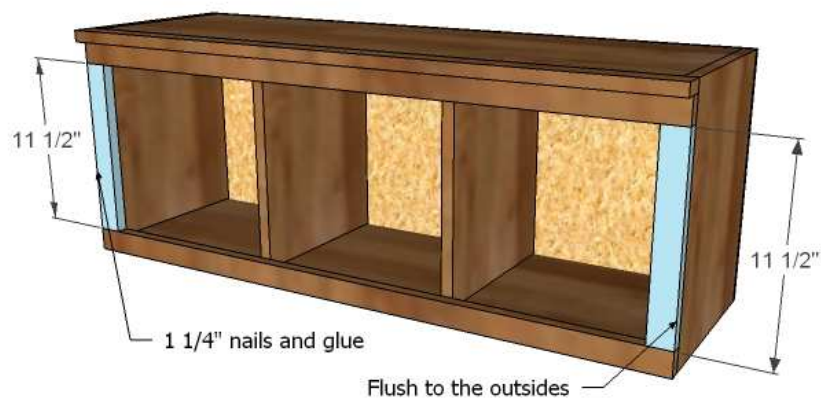
## STEP 5: BOTTOM TRIM



Attach the bottom trim as shown here, keeping outside and bottom edges flush. For a full size, this board will be 55 1/2" long.

## STEP 6: HEADBOARD PANEL

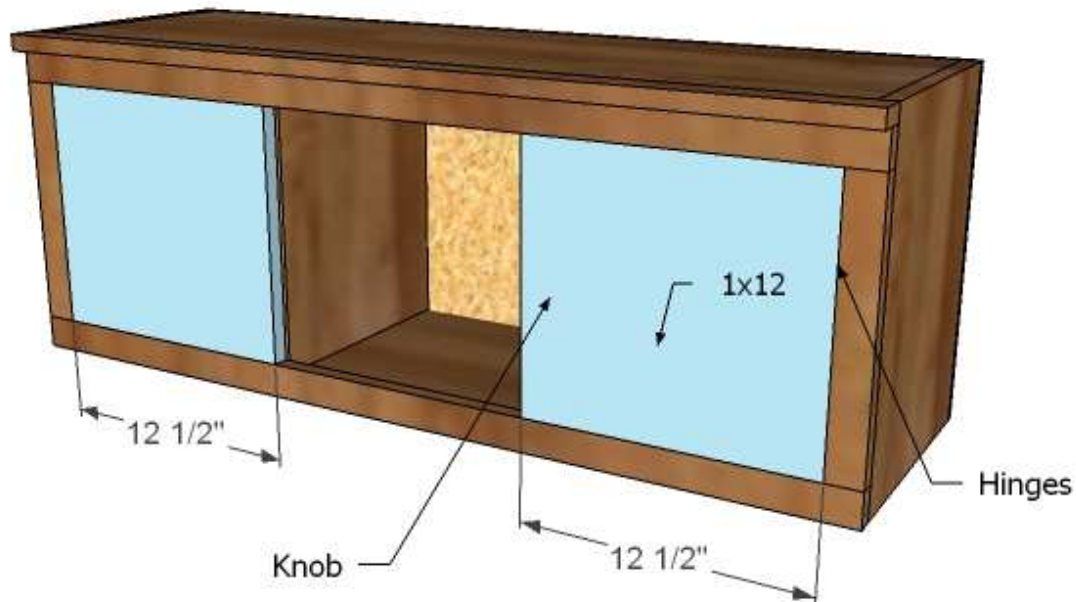
Cut the side trim to fit the sides and fasten in place with glue and 1 1/4" nails (you can still use 2" nails) and glue. Also, nail from the underside for a little extra support (through the bottom trim piece)



# ANAWHITEKNOCK-OFFWOOD

100s OF FREE AND EASY KNOCK-OFF FURNITURE PLANS TO SAVE YOU \$1000s

PLANS: Storage Bed Door Hutch, Twin with Easy Modifications for Full Size



## STEP 7: DOORS

Cut your doors from 1x12s to fit and attach with hinges. You can use different types of hinges, the most inexpensive and easy to install being basic hinges on the insides or decorative butterfly hinges on the surfaces. You can also buy Euro Style Hinges for FACE FRAME INSET DOORS. Add knobs.

## FINISHING

Remove doors. Fill all holes with wood filler. Sand with coarse sandpaper. Fill holes with wood filler again, and sand with medium grit sandpaper. Then finish with a fine sandpaper. Always sand in the direction of the wood grain. If you are painting, prime, painting the insides first, outsides last. Add two coats of paint. You can add a clear top coat if you wish. For staining, always test out a scrap piece, with wood filler. If the wood filler is not taking stain, you may wish to buy a color coordinated wood filler and fill your holes with this. If the stain is going on blotchy, you may need to apply a wood conditioner prior to the stain. Apply a top coat if necessary.