

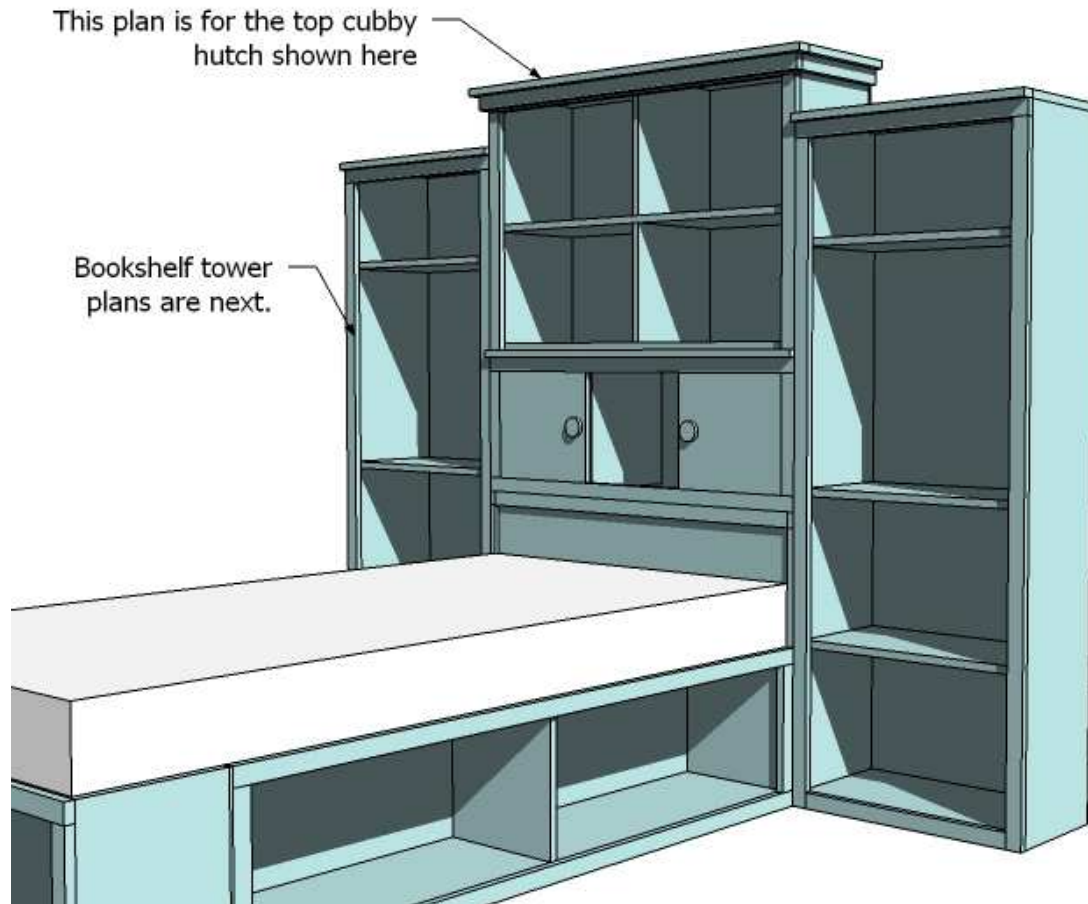
ANAWHITEKNOCK-OFFWOOD

100s OF FREE AND EASY KNOCK-OFF FURNITURE PLANS TO SAVE YOU \$1000s

PLANS: Storage Bed Large Cubby Hutch

Compare to: Pottery Barn Teen Storage Bed

Skill Level: Beginner



Large Cubby Storage Hutch

While the large cubby storage hutch is designed to work with the storage bed system, you could also use it as standalone storage. This easy to build design can be modified for any height and widths less than 48". The 12" shelf heights and depths easily accommodate standard storage bins and totes.

Copyrighted Material

See www.knock-offwood.com for full disclaimer

ANAWHITE KNOCK-OFFWOOD

100s OF FREE AND EASY KNOCK-OFF FURNITURE PLANS TO SAVE YOU \$1000s

PLANS: Storage Bed Large Cubby Hutch

SHOPPING LIST

Quantity	Description
2	1x12 Boards, 10' Long
1	1x3, 8' Long
3	1x2, 8' Long
1	Sheet of 4'x8' Hardwood Plywood or MDF 1/4" Thick
	1 1/4" Finish Nails
	2" Finish Nails
1	Small Tube Wood Glue
2	Sheets of 120 Grit Sandpaper
	Finishing Supplies including wood filler

RECOMMENDED TOOLS

Measuring Tape, Square, Jig Saw, Drill with Countersink Bit, Sander, Clamps

CUT LIST

	Quantity	Board	Length	Description
A	3	1x12	39"	Shelves
B	2	1x12	28"	Sides
C	1	1x12	12"	Bottom Cubby Divider
D	1	1x12	13 3/4"	Top Cubby Divider
E	1	1/4" Plywood	28" x 40 1/2"	Back
F	1	1x3	40 1/2"	Header
G	2	1x2	25 1/2"	Side Trim
H	4	1x2	12 1/4"	Side Crown
I	1	1x2	42"	Bottom Front Crown
J	1	1x2	43 1/2"	Top Front Crown

IN GENERAL

Refer to the blog at www.knock-offwood.com for any comments or suggestions for this plan. Always wear necessary safety equipment and take safety precautions. Check for square after each step. Measure all joints out and mark clearly with a square on BOTH sides of the joint (so you know where to

Copyrighted Material

See www.knock-offwood.com for full disclaimer

ANAWHITEKNOCK-OFFWOOD

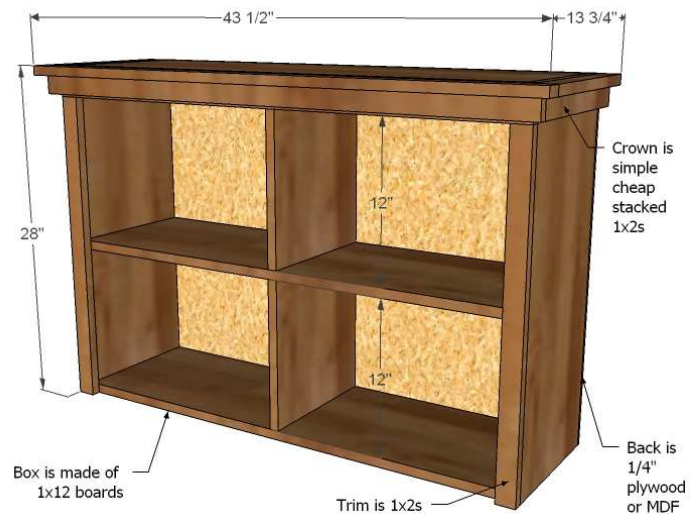
100s OF FREE AND EASY KNOCK-OFF FURNITURE PLANS TO SAVE YOU \$1000s

PLANS: Storage Bed Large Cubby Hutch
(nail). Use glue unless otherwise stated.

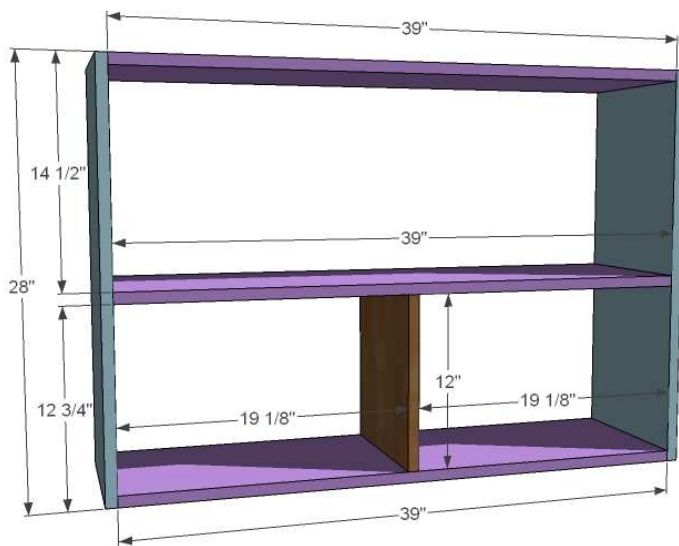
Always predrill and countersink any screws.
If you are using MDF, avoid fastening too close to the edges to avoid splitting your MDF.

DIMENSIONS AND COMPOSITION

The overall dimensions and composition of this piece are shown above. Recommend



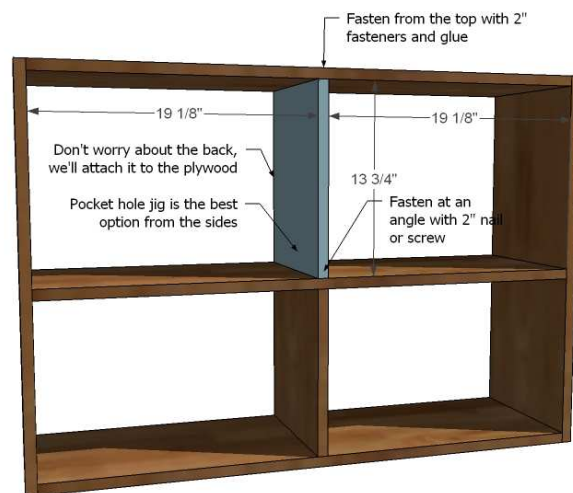
use of MDF shelving in 1x12 widths or pine boards for paint grade, A1 hardwood plywood for stain grade. If you choose to stain this piece, you will need to additionally add edge banding to any exposed plywood edges.



the diagram on the cut pieces. Predrill and countersink all screws, using 2" screws and glue. Adjust for square.

STEP 1: BUILD THE BOX

Mark out all of your joints as shown in



STEP 2: TOP CUBBY DIVIDER

This step looks trickier than it is. Only on the

Copyrighted Material

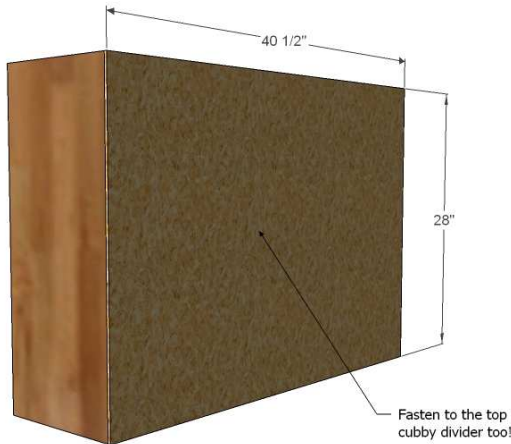
See www.knock-offwood.com for full disclaimer

ANAWHITEKNOCK-OFFWOOD

100s OF FREE AND EASY KNOCK-OFF FURNITURE PLANS TO SAVE YOU \$1000s

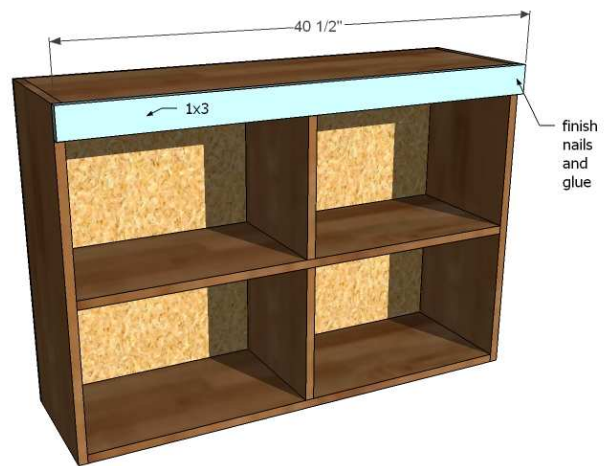
PLANS: Storage Bed Large Cubby Hutch

front bottom corner do you need to nail or screw at an angle (it called toenailing). Remember, there is no stress on this joint and the back will be glued and screwed to plywood.



STEP 3: BACK

Attach the back plywood with 1 1/4" nails and glue. Keep outside edges flush.



STEP 4: HEADER

Attach the header to the top of the project, keeping outside edges flush. Use 2" finish nails and glue, and fasten to the top cubby divider too. You will notice that the cubby divider is not going ANYWHERE after this step.



STEP 5: SIDE TRIM

Attach the side trim with 2" nails and glue. Keep outside edges flush and nail to the center shelf and bottom shelf too.

Copyrighted Material

See www.knock-offwood.com for full disclaimer

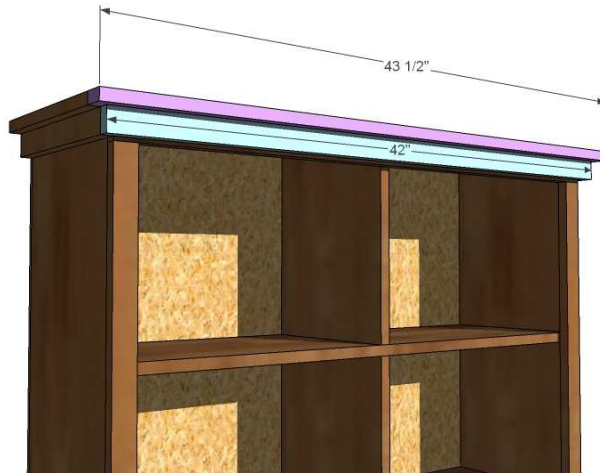
AN WHITE KNOCK-OFF WOOD

100s OF FREE AND EASY KNOCK-OFF FURNITURE PLANS TO SAVE YOU \$1000s

PLANS: Storage Bed Large Cubby Hutch

STEP 6: SIDE CROWN

Stack your side crown pieces as shown to the right and attach to the top of the project. Use glue and take care to use the appropriate length nail for the job.



STEP 7: FRONT CROWN

Attach the front crown in the same manner as the side crown, using glue and the appropriate sized nail for the wood thickness.

ASSEMBLY

Make sure you attach the top hutch to the middle hutch as shown in the diagram. I also recommend that you attach the hutch to a stud in the wall.

FINISHING

Fill all holes with wood filler. Sand with coarse sandpaper. Fill holes with wood filler again, and sand with medium grit sandpaper. Then finish with a fine sandpaper. Always sand in the direction of the wood grain. If you are painting, prime, painting the insides first, outsides last. Add two coats of paint. You can add a clear top coat if you wish. For staining, always test out a scrap piece, with wood filler. If the wood filler is not taking stain, you may wish to buy a color coordinated wood filler and fill your holes with this. If the stain is going on blotchy, you may need to apply a wood conditioner prior to the stain. Apply a top coat if necessary.



Copyrighted Material

See www.knock-offwood.com for full disclaimer