

Overall Dimensions are shown above. I choose to use standard sized boards in this design so that you could use pine boards for a rustic look, use scraps, or have MDF cut into board sized dimensions (as I did). The desk is narrow when closed, console sized. So if you like lots of room for more than just using your computer, this might not be the desktop for you.

## Preparation

### SHOPPING LIST

6 Frameless Full Overlay Euro Style Hinges like these

3 - 1x12, 8' Length

1 - 1x6, 8' Length

1/4" plywood for the backs or another 1×6, 8' Length

2" nails

1 1/4" nails

Wood Filler

Wood Glue

Sandpaper

Paint or other finishing supplies

### **COMMON MATERIALS**

Elmer's Wood Glue (<http://elmers.com/diy>)

Elmer's Wood Filler (<http://elmers.com/products/wood-filler-and-other-repair?filters=construction#>)

120 grit sandpaper

primer

wood conditioner

paint

paint brush

### **CUT LIST**

Cut List for the Desktop

2 – 1×12 @ 47" (Tops and Bottoms)

4 – 1×12 @ 4" (Ends and Dividers)

1 – 1×6 @ 47" (Face)

1 – 1/4" Plywood @ 5 1/2" x 47" OR 1 – 1×6 @ 47" (Back)

Cut List for the Legs

4 – 1×12 @ 24 1/2" (Sides of Legs)

6 – 1×12 @ 4" (Tops and Bottoms and Shelves)

2 – 1×6 @ 24 1/4" (Leg Faces)

2 – 1/4" Plywood @ 5 1/2" x 24 1/2" OR 2 – 1×6 @ 24 1/2" (Backs)

## TOOLS



Tape Measure



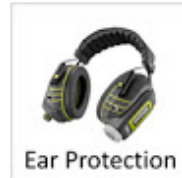
Speed Square



Pencil



Safety Glasses



Ear Protection



Drill



Circular Saw



Brad Nailer



Sander

## GENERAL INSTRUCTIONS

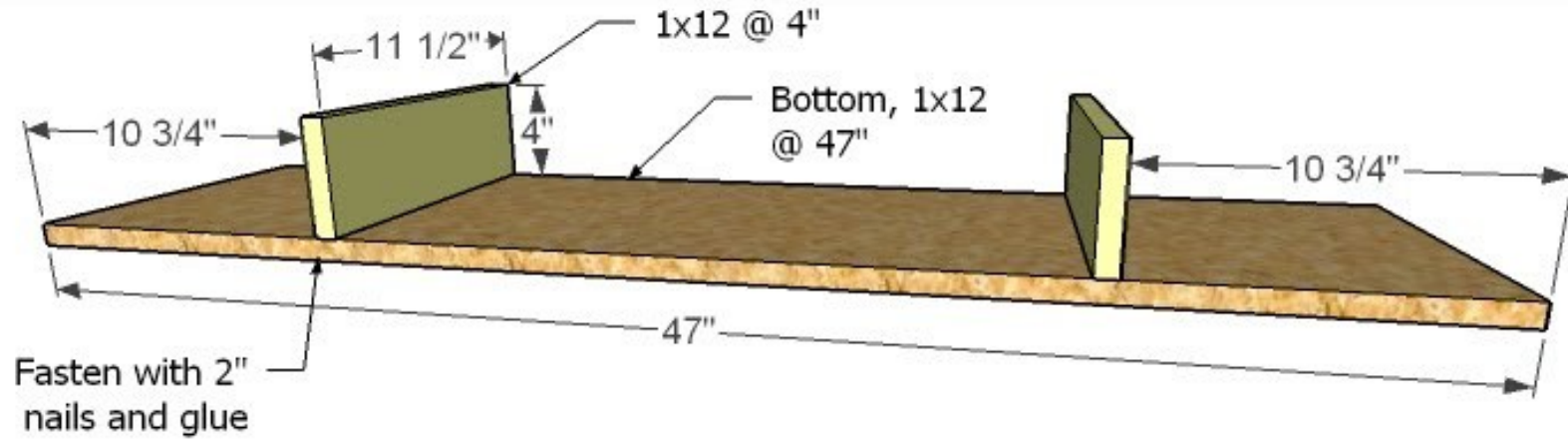
I'm so glad I built this piece before presenting the plans. Because when I went to attach the hinges, there was now where for the drill to go! So we had to do some tricky angle drilling to get the hinges in place, and I'm still wishing I could adjust my hinges properly. To avoid this, you may wish to paint in the areas where the hinges are being placed before assembling the desk (so you aren't like me, with Grace's tiny watercolor brush, painting around hinges). And we will put the hinges on before we put the tops on in these instructions.

As always, work on a clean level surface. Use straight boards. You can cut a sheet of MDF into 3 1×12 strips and 1 1×6 strip for the drawer faces (make that 2 1×6 strips and you can also use MDF for the backs instead of going out and buying 1/4" plywood). Be safe. Remember, you can click images for a larger view.

Building the desktop is essentially the same as the legs, expect the size and the desktop has two “shelves” to the legs one “shelf.” So I will just be giving you basic diagrams for the desktop with instructions for the legs.

## Instructions

### STEP 1

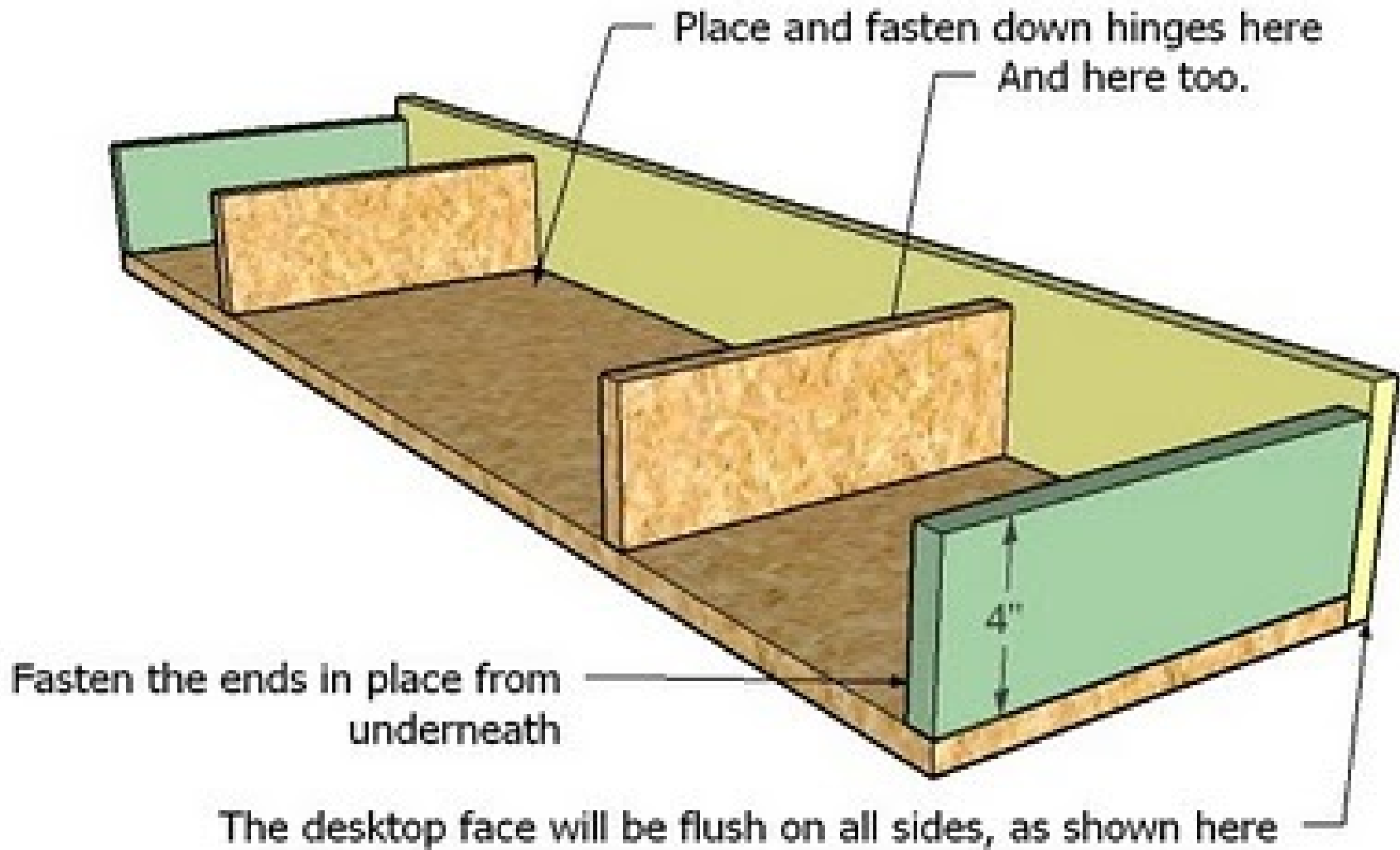


(<https://www.ana-white.com/sites/default/files/knockoffwood%20anas%20desk%203.jpg>)

Partitions

Or shelves for when you assemble the legs. For the desktop, use 2" nails and glue to fasten the dividers to the bottom, as shown above. Also do the sides, but place your shelves in any desired position to accommodate your needs.

STEP 2



(<https://www.ana-white.com/sites/default/files/knockoffwood%20anas%20desk%204.jpg>)

### Ends and Hinged Front

Start by attaching the ends, just as you did the partitions, shown above in green. Keep outsides flush. Then attach the face with the hinges only on the insides of the partitions, with the face flush with the bottom and the outsides of the desktop. Notice that the top will overextend 3/4". Do this for the legs too, except choose your bottom and line the face up with the bottom (it will be just shy of the top to give the desktop room to open).

**STEP 3**



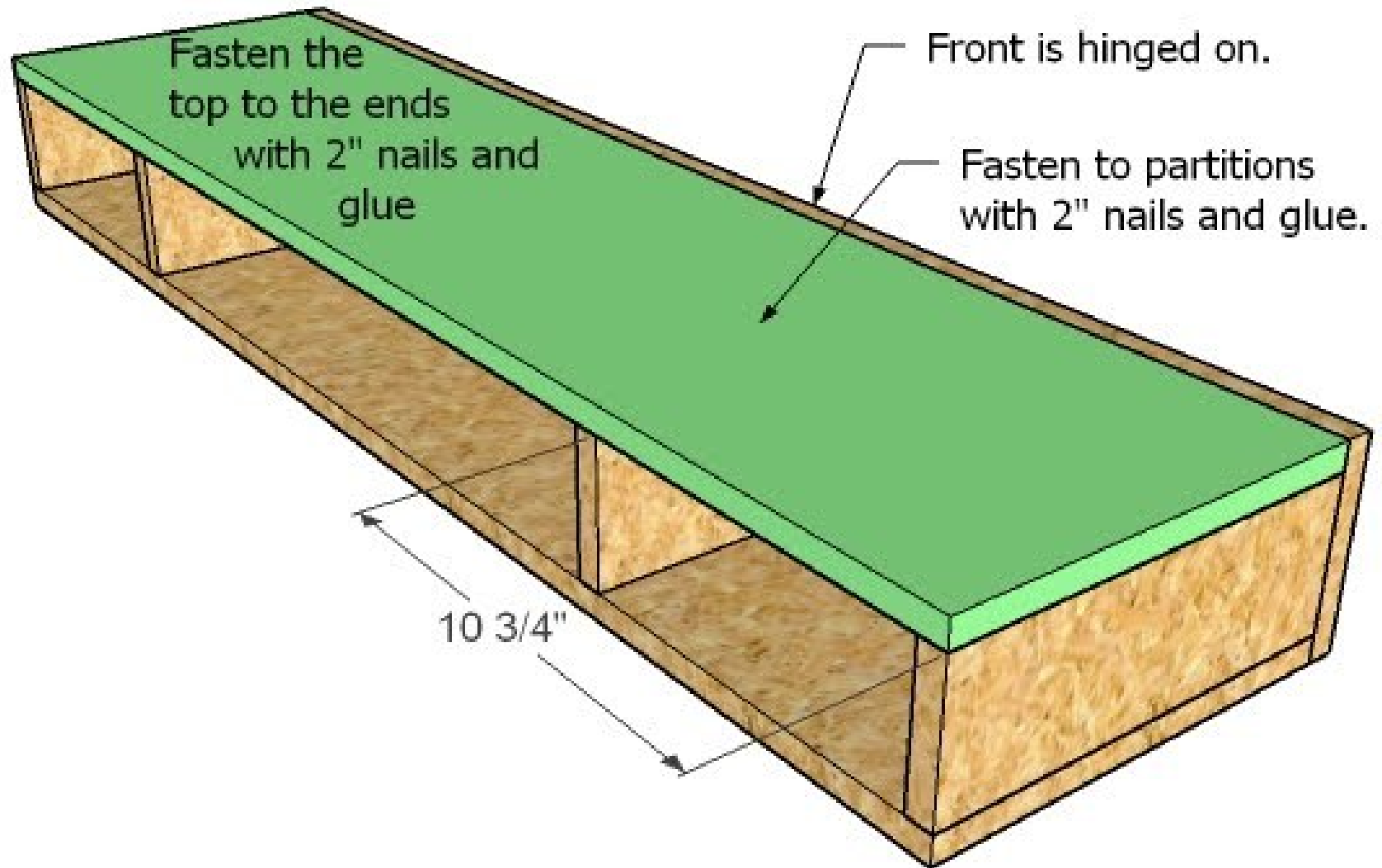




(<https://www.ana-white.com/sites/default/files/078555604325lg.jpg>)

These hinges are surface mount and are extremely easy to install and work great. They are my fav.

STEP 4



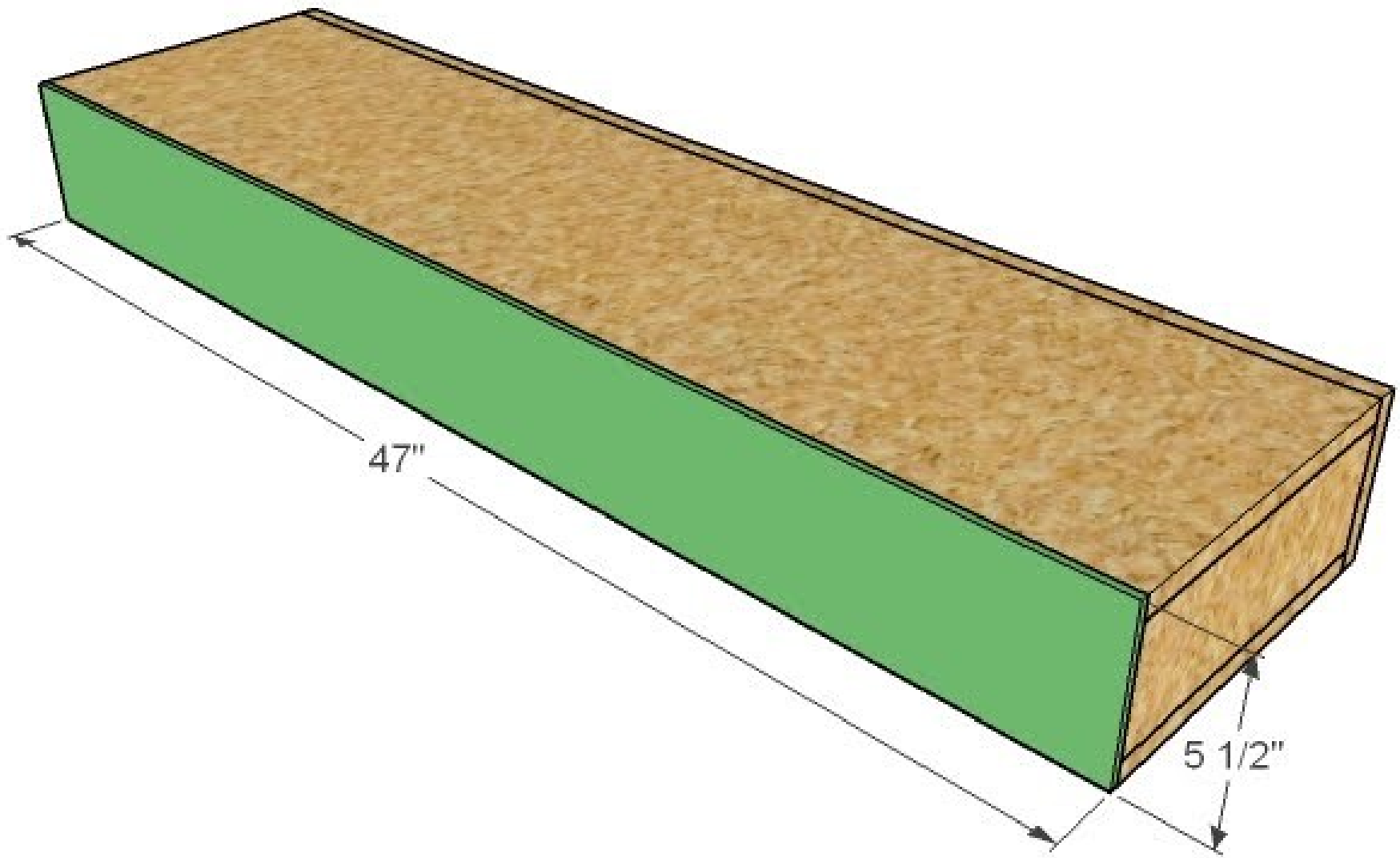
(<https://www.ana-white.com/sites/default/files/knockoffwood%20anas%20desk%205.jpg>)

Top

Lay the top on top of the desktop and fasten down with 2" nails and glue. Do this for the legs too.

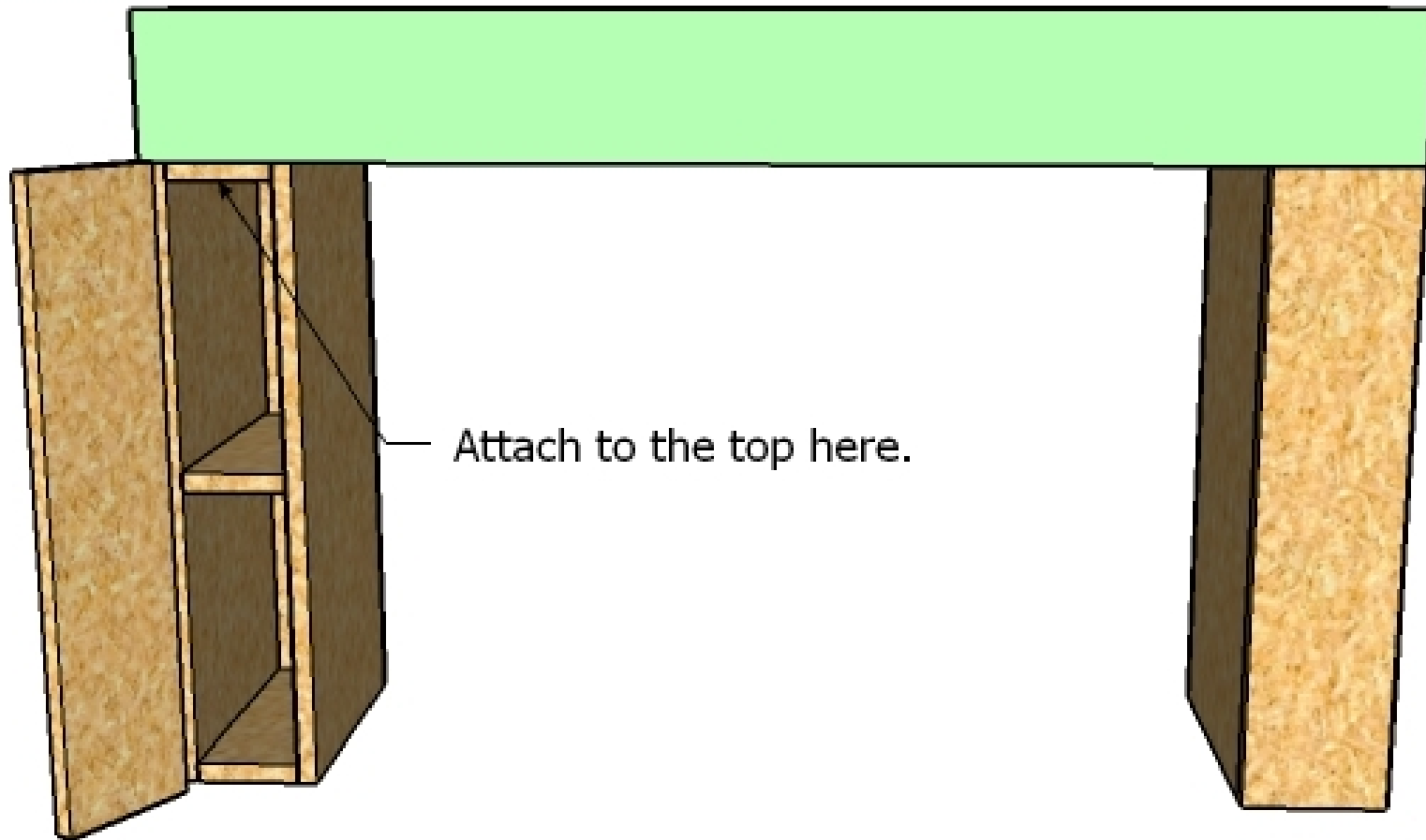


STEP 5



(<https://www.ana-white.com/sites/default/files/knockoffwood%20anas%20desk%206.jpg>)

## STEP 6



(<https://www.ana-white.com/sites/default/files/knockoffwood%20anas%20desk%207.jpg>)

Finishing and Assembly

Dry fit everything and make sure that the top will open correctly without rubbing against the leg faces. If this is the case, simply trim the tops of the leg faces until the desktop face opens smoothly. You can remove the faces from the hinges and paint each piece