

# Ottoman or Accent Table for Simple Modern Outdoor Sectional

[View \(/woodworking-projects/ottoman-or-accent-table-simple-modern-outdoor-sectional\)](#)

[Edit \(/node/301/edit\)](#)

[Delete \(/node/301/delete\)](#)

SUBMITTED BY ANA WHITE (/USERS/ANA-WHITE) ON TUE, 05/25/2010 - 08:22

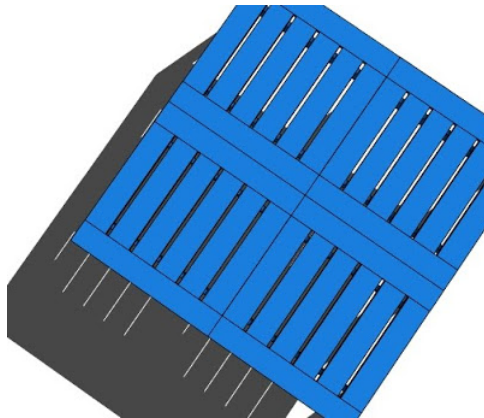


Difficulty: **Beginner**

This simple little plan designed to be an ottoman for the outdoor sectional can also be grouped as a coffee table or used as an accent table. Modern style.



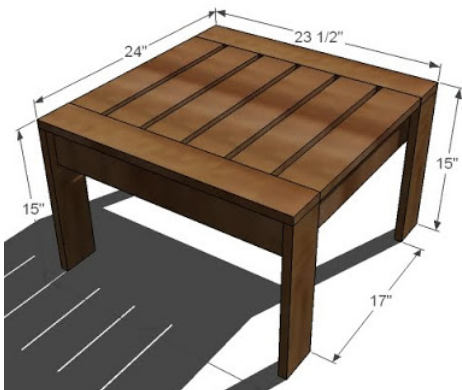
Oh, I hope someone does a vibrant bold color. Bold is so much better than blah. This simple outdoor table could act as a coffee table or end table too. Just bunch a couple together and you've got a perfectly sized coffee table!



([http://1.bp.blogspot.com/\\_LodZ9etRvTw/S\\_wXuKrqdWI/AAAAAAAAHaU/9YUpz6KhKU0/s1600/knockoffwood+simple+modern+outdoor+sectional+ottoman+3.jpg](http://1.bp.blogspot.com/_LodZ9etRvTw/S_wXuKrqdWI/AAAAAAAAHaU/9YUpz6KhKU0/s1600/knockoffwood+simple+modern+outdoor+sectional+ottoman+3.jpg))

## TABLE OR EXTRA SEATING?

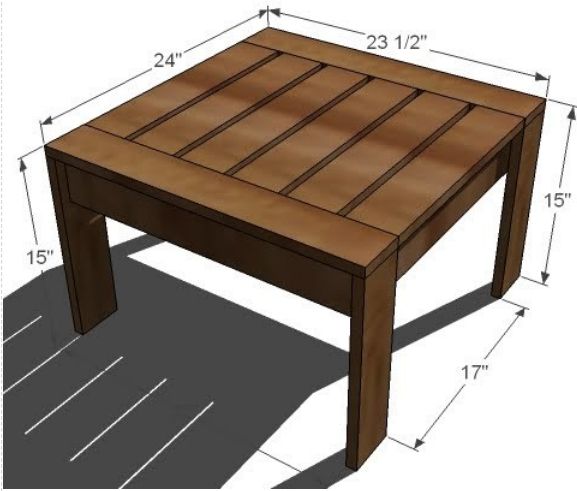
By bunching the ottomans up together, you can create a large table. Then when you need extra seating for an event, just pull apart and use as ottomans.



([http://1.bp.blogspot.com/\\_LodZ9etRvTw/S\\_wY\\_-PXvYI/AAAAAAAAHac/zoz933dFaco/s1600/knockoffwood+simple+modern+outdoor+sectional+ottoman+4.jpg](http://1.bp.blogspot.com/_LodZ9etRvTw/S_wY_-PXvYI/AAAAAAAAHac/zoz933dFaco/s1600/knockoffwood+simple+modern+outdoor+sectional+ottoman+4.jpg))

([http://1.bp.blogspot.com/\\_LodZ9etRvTw/S\\_wY\\_-PXvYI/AAAAAAAAHac/zoz933dFaco/s1600/knockoffwood+simple+modern+outdoor+sectional+ottoman+4.jpg](http://1.bp.blogspot.com/_LodZ9etRvTw/S_wY_-PXvYI/AAAAAAAAHac/zoz933dFaco/s1600/knockoffwood+simple+modern+outdoor+sectional+ottoman+4.jpg))

**Dimensions**



Overall Dimensions are shown above. Composition is solid wood, preferably a wood like cedar (which is slightly more than pine and is one sale at Lowes right now).

## Preparation

### SHOPPING LIST

4 – 1×4 Boards, 8' Length  
2" Screws  
1 1/4" Screws  
Wood Glue  
Finishing Supplies

### COMMON MATERIALS

Elmer's Wood Glue (<http://elmers.com/diy>)  
Elmer's Wood Filler (<http://elmers.com/products/wood-filler-and-other-repair?filters=construction#>)  
120 grit sandpaper  
primer  
wood conditioner  
paint  
paint brush

### CUT LIST

2 – 1×4 @ 21" (Apron, Leg Side)  
2 – 1×4 @ 22" (Apron, Non-Leg Side)  
2 – 1×4 @ 20 1/2" (Slat Supports)  
2 – 1×4 @ 23 1/2" (Breadboard Ends)  
6 – 1×4 @ 17" (Slats)  
4 – 1×4 @ 14 1/4" (Legs)

### CUTTING INSTRUCTIONS

Cutting Layout to Conserve Boards

- 1) 3 – 17" Slats + 1 – 21" Apron + 1 – 22" Apron
- 2) 3 – 17" Slats + 1 – 21" Apron + 1 – 22" Apron
- 3) 2 – 14 1/4" Legs + 2 – 23 1/2" Breadboard Ends
- 4) 2 – 14 1/4" Legs – 2 – 20 1/2" Slat Supports

## TOOLS



Tape Measure



Speed Square



Safety Glasses



Ear Protection



Drill



Circular Saw



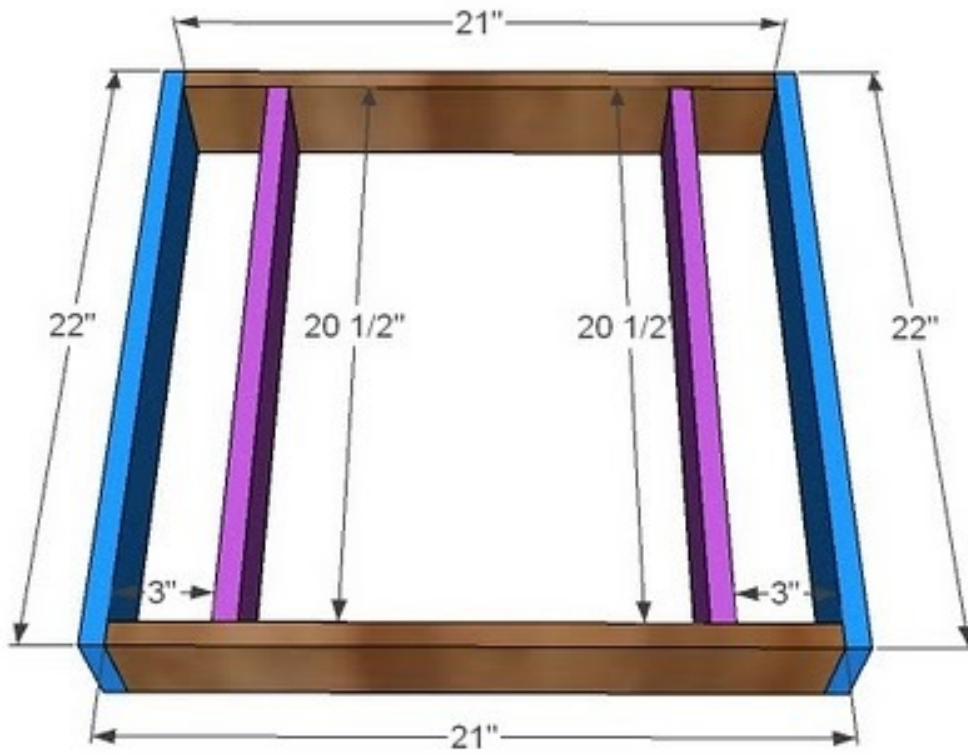
Sander

## GENERAL INSTRUCTIONS

Cut and paint all of your boards as desired (or stain). I recommend waiting to seal with your sealant until the final touchup coat is complete. Work on a clean level surface and use necessary safety equipment and precautions. Predrill and countersink all of your screws.

## Instructions

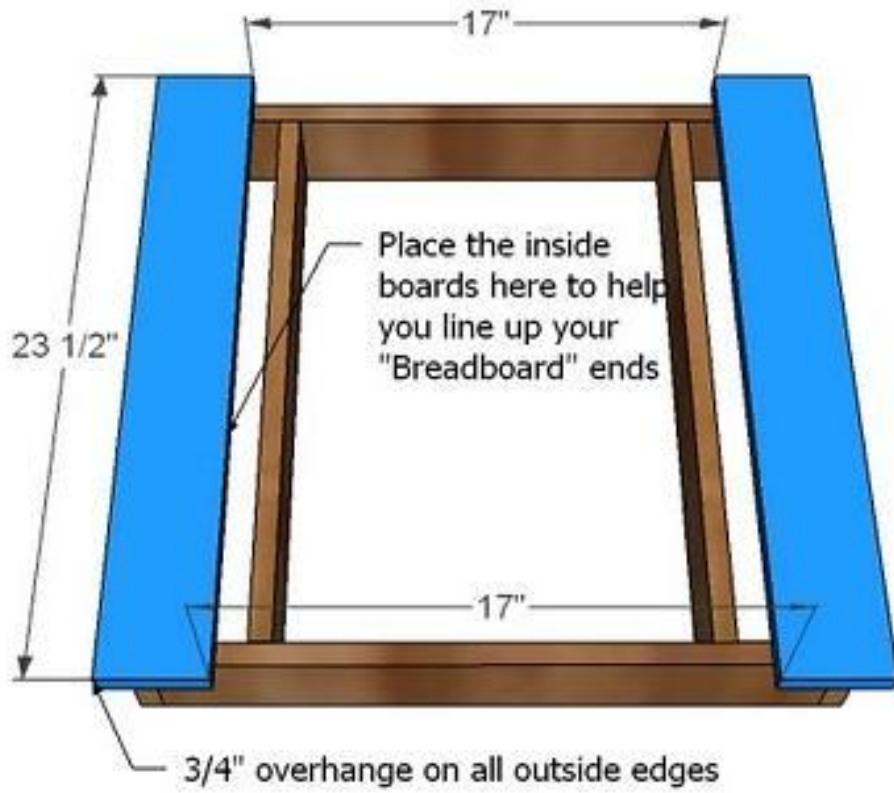
### STEP 1



#### TABLETOP SUPPORTS

This is basically a little table. Build your tabletop support system and aprons as shown above. Use 2" screws and glue.

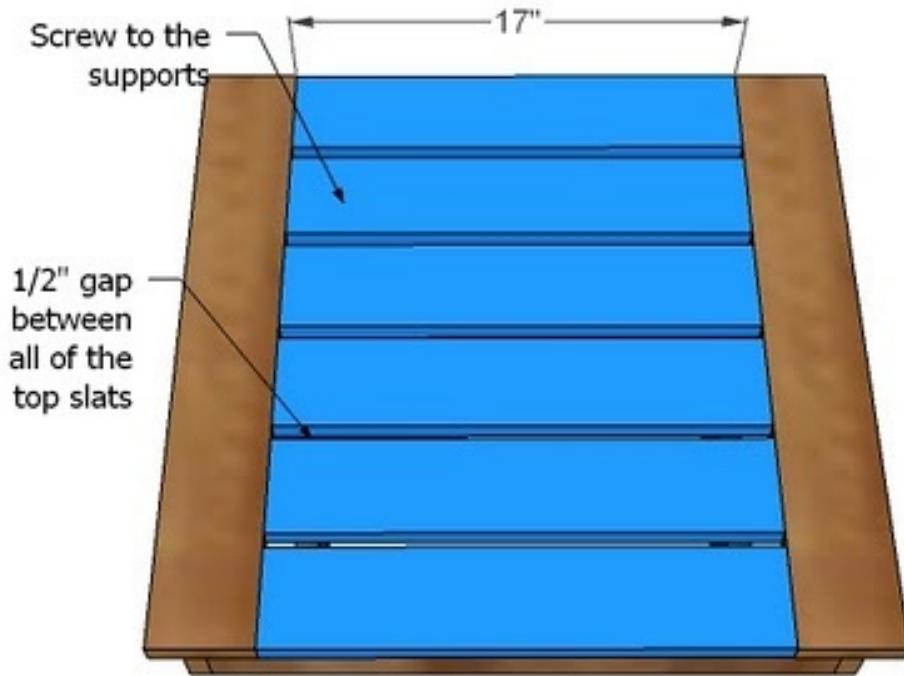
STEP 2



BREADBOARD ENDS

Square up your tabletop supports by taking a diagonal measurement from opposite outside corners of your support frame. Adjust the frame until the measurements are equal, by pushing the two long corners together. Then lay your center slats across the top of the supports, in the center, without fastening down. Then center your breadboard ends on the ends, leaving a 3/4" overhang on all outside edges. Screw down with 1 1/4" screws and glue.

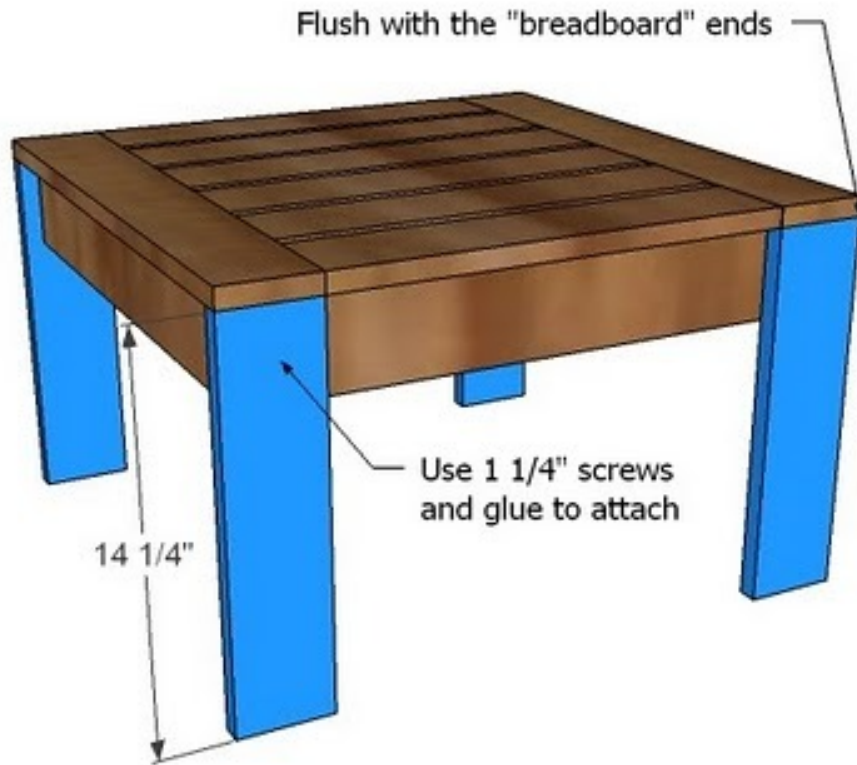
STEP 3



SLATS

Space your slats 1/2" apart, as shown above. Screw down with 1 1/4" screws and glue.

STEP 4



LEGS

Turn the table on it's face. Then add your legs, keeping the tops of the legs flush with the breadboard ends. Check the ends of the legs for square. Use glue and 1 1/4" screws.

## Finishing Instructions

**Preparation Instructions:** Since your ottoman is already prefinished, go ahead and do a touchup coat over any exposed screws. You can fill screw holes with a wood filler or paintable silicone. Sand lightly and paint. Add your outdoor sealant.

397 views