

RYOBI NATION

PLANS BY ANA WHITE

IN-FEED / OUT-FEED SUPPORT CART



TOTAL DIMENSIONS: 36 X 24 X 40
DIFFICULTY LEVEL: INTERMEDIATE

MATERIALS LIST:

- (1) 48"x96" 3/4" plywood
- (1) 48"x48" 1/4" plywood
- (4) Locking caster wheels (minimum 2-1/2" tall)
- (24) 1-1/4" coarse thread pocket hole screws
- (50) 18 gauge brad nails
- Wood glue

RECOMMENDED TOOLS:

- Table saw or circular saw
- Drill/driver
- 18 Gauge brad nailer
- Pocket hole tool
- Pocket hole drill bit

LUMBER CUT LIST:

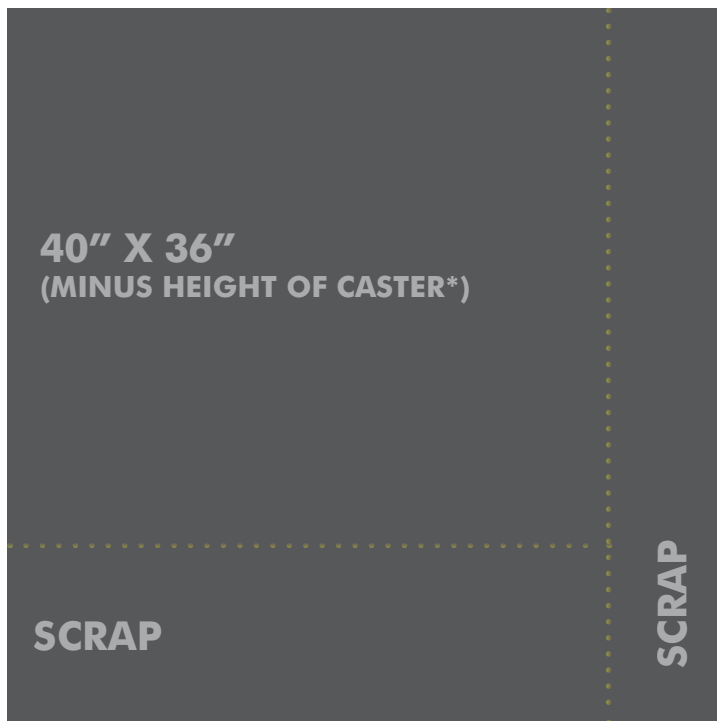
3/4" PLYWOOD



***HEIGHT OF CASTER WHEELS MUST BE AT LEAST 2-1/2" TALL**

LUMBER CUT LIST:

1/4" PLYWOOD



***HEIGHT OF CASTER WHEELS MUST BE AT LEAST 2-1/2" TALL**

OPTIONAL DRAWERS:

1" x 6" boards (drawer front/side)

1/4" plywood (drawer bottoms)

Drawer slide hardware

*amount of material needed varies according to the number/size of shelves/drawers.

OPTIONAL SHELVES:

(1) 24" x 18-7/8" 3/4" plywood per shelf



HELPFUL HINT

The Home Depot stores will make complimentary plywood cuts.

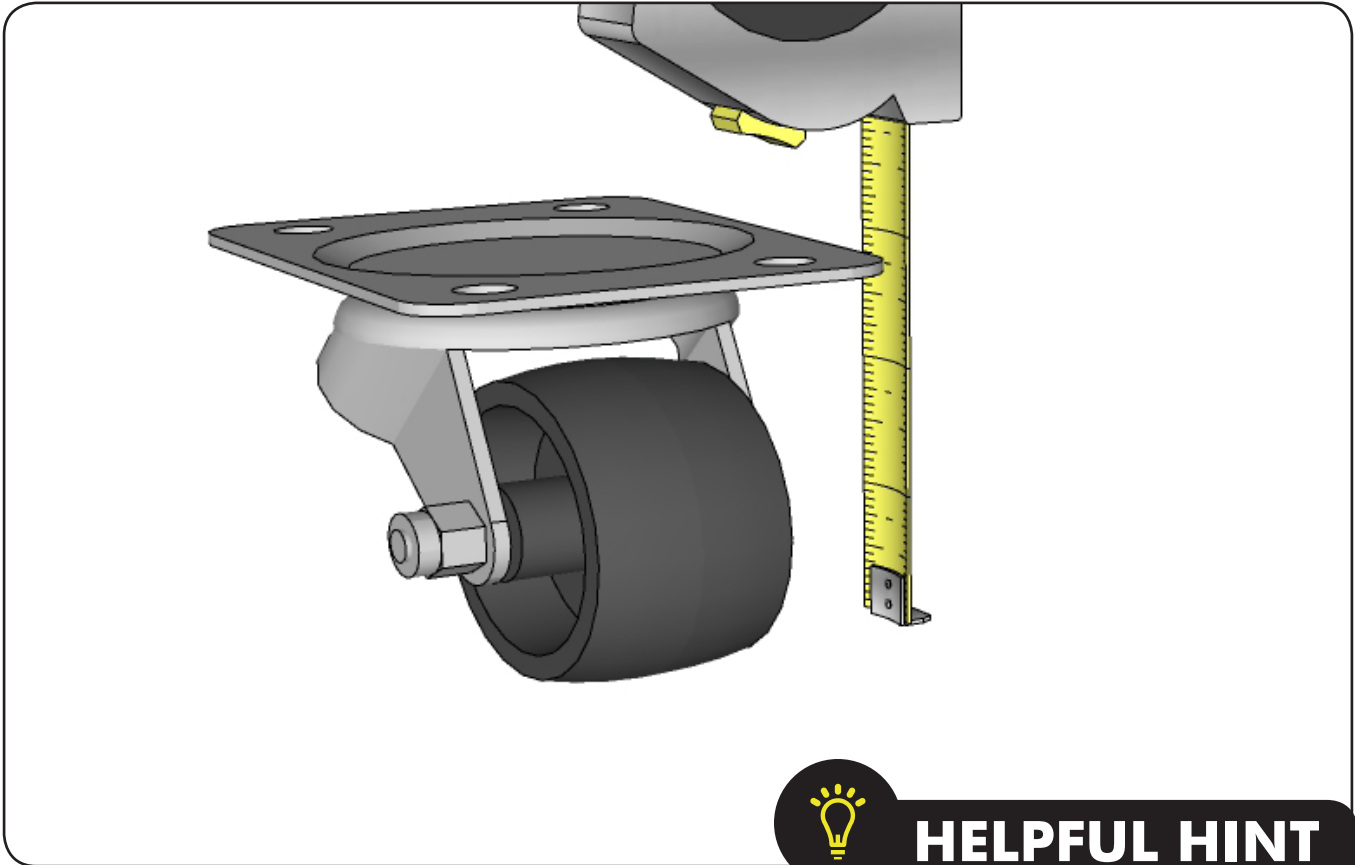
ASSEMBLY:

1

Rip 3/4" plywood into strips 24" wide by 8 feet long using either a table saw or circular saw.

2

Measure height of caster wheels. Subtract measurements from 34-1/2". From the 24" wide strips, cut three pieces to this length for the sides/divider.



HELPFUL HINT

To get both side walls and middle divider from one half of plywood sheet, plan on using caster wheels at least 2-1/2" or taller.

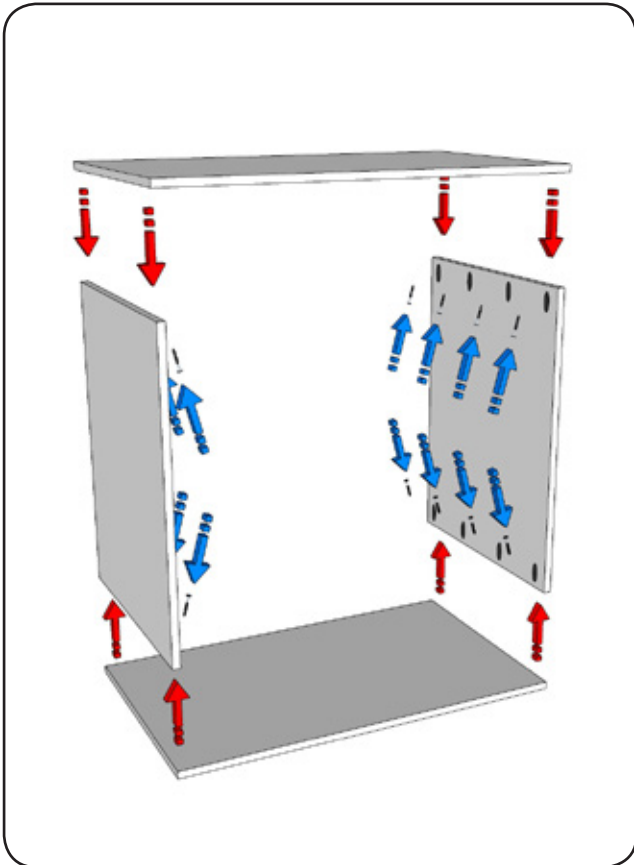
3

Cut remaining pieces according to cut list.

ASSEMBLY:

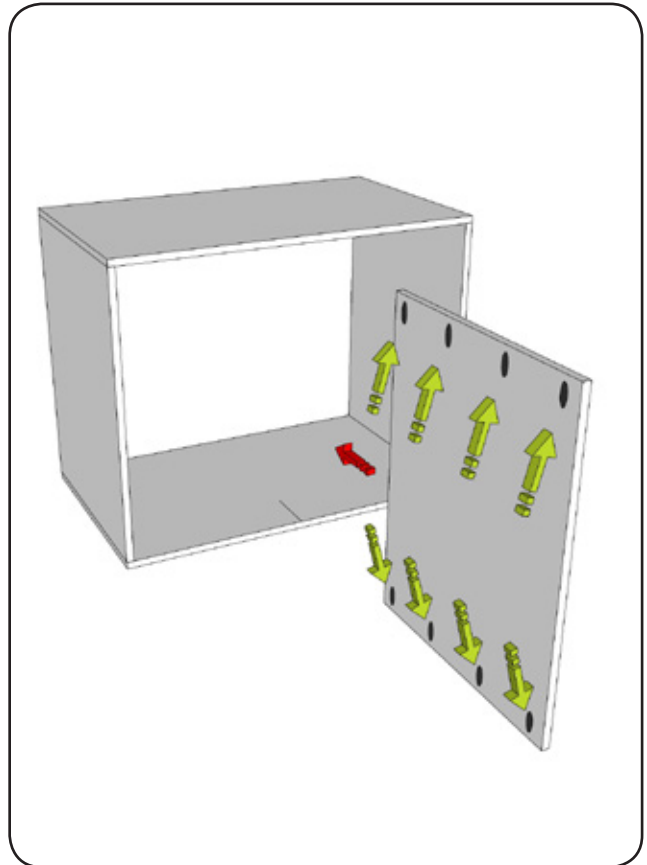
4

Drill four 3/4" pocket holes on each end (measuring 24" long) of the side/divider pieces. Attach sides to top and bottom with 1-1/4" pocket hole screws.



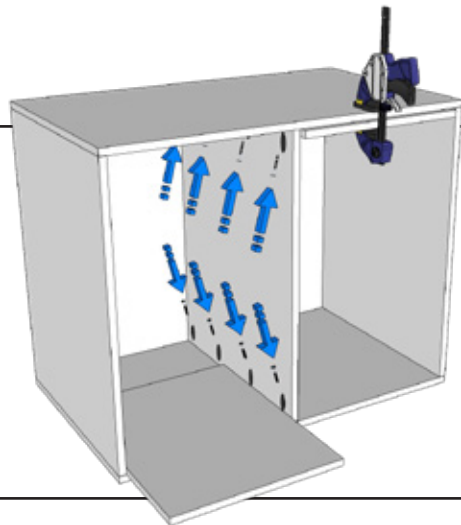
5

Mark center of top/bottom. Attach divider to top and bottom with 1-1/4" pocket hole screws.



HELPFUL HINT

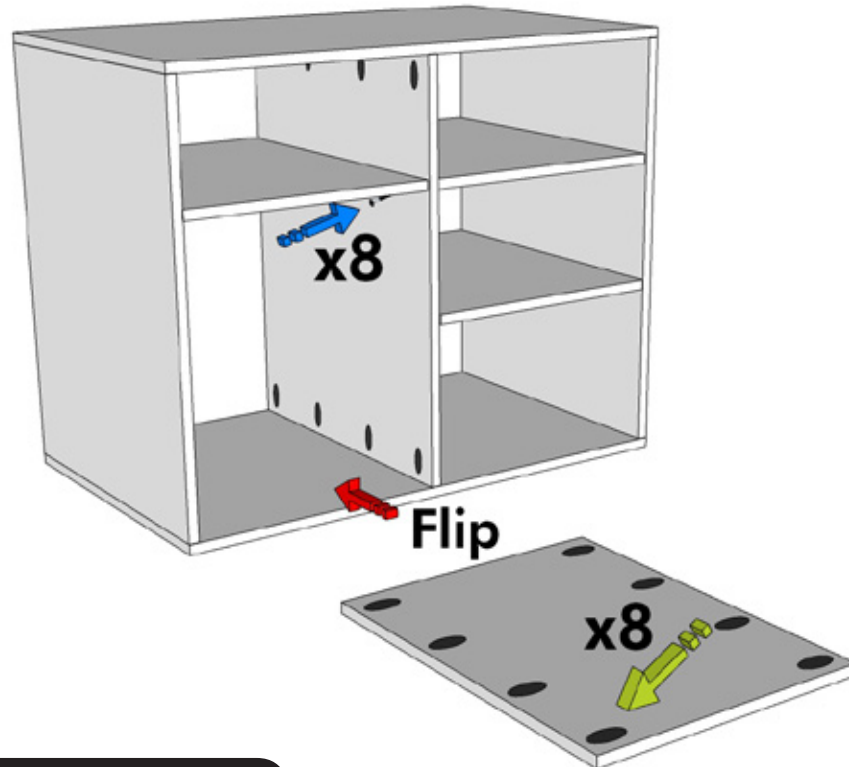
If adding shelves, when attaching divider, use the shelves as a guide to place the divider.



OPTIONAL SHELVES:

6

Drill four 3/4" pocket holes on each end (measuring 24" long) of the shelves. Attach between divider and sides.



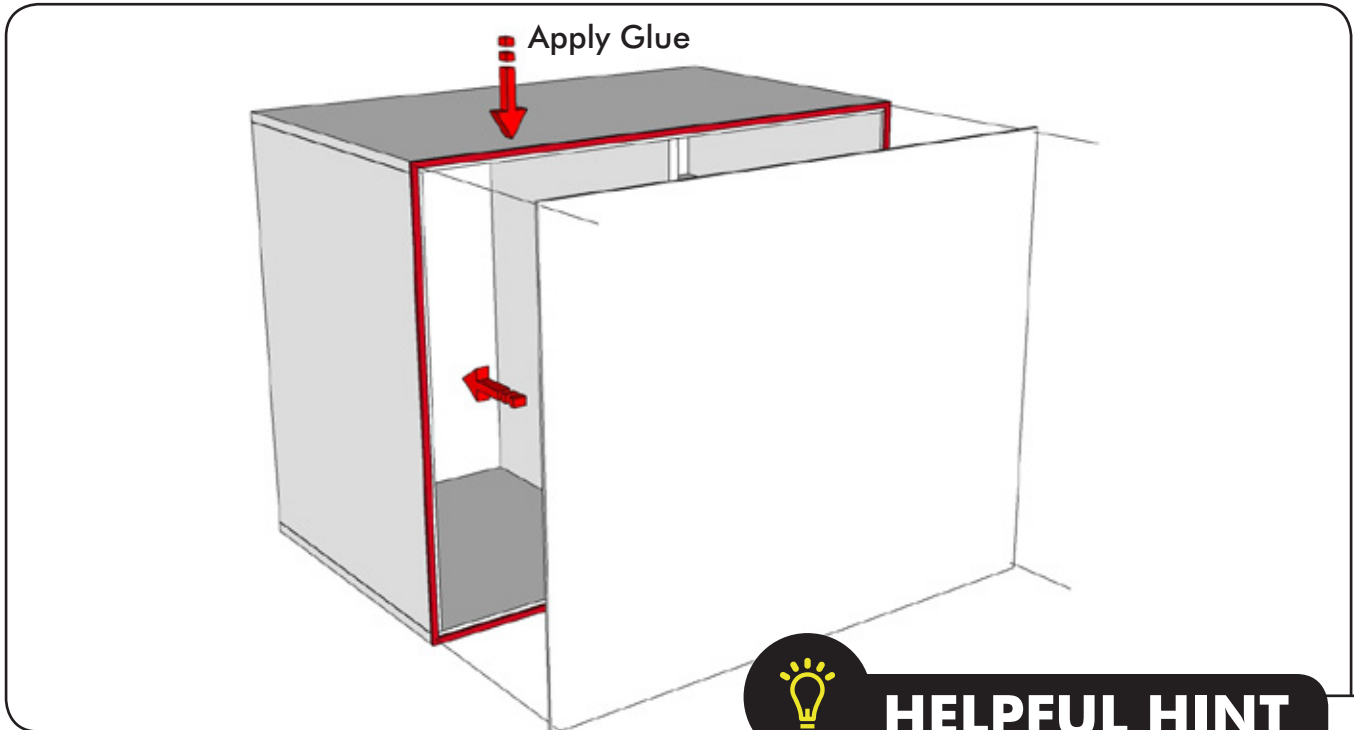
HELPFUL HINT

Set shelf heights custom for your storage needs.

ASSEMBLY:

7

Apply glue to back edges of the cart.
Attach back with 3/4" brad nails.

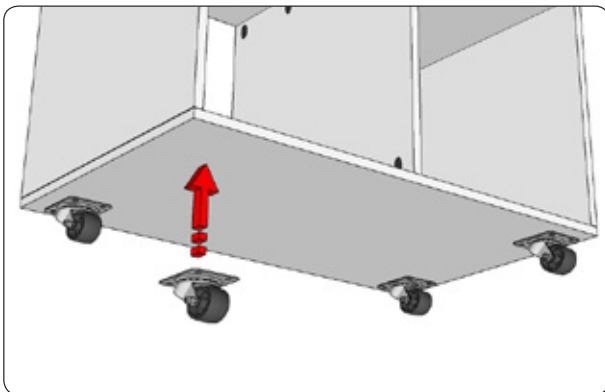


HELPFUL HINT

We used a total of 50 brad nails to ensure a strong fit to glued back.

8

Install caster wheels at base of cart.



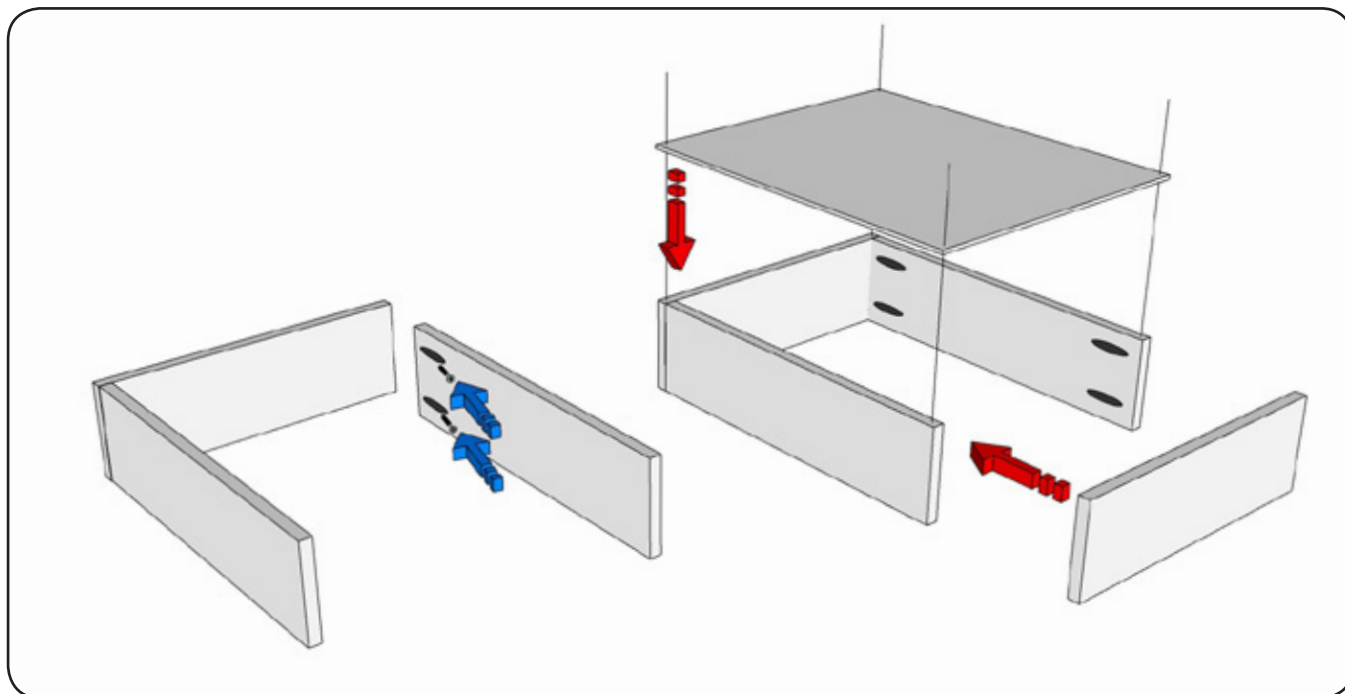
OPTIONAL DRAWERS:

9

Measure distance between side and divider and subtract 1"
Per drawer, cut two – 1x6 to this length (front and back of drawer).

Cut two 1x6 to 22-1/2" long per drawer (drawer sides). Drill two 3/4" pocket holes on each end of drawer sides. Attach drawer sides to drawer front/back with 1-1/4" pocket hole screws.

Measure bottom of drawer and cut 1/4" plywood to fit.
Use 3/4" brad nails and glue to attach.



10

Install drawers with 24" drawer slides according to manufacturer's instructions.



HELPFUL HINT

Customize the number of drawers or the drawer depth for your storage needs.

