

# **RYOBI** NATION

PLANS BY ANA WHITE

## MITER SAW CART



TOTAL DIMENSIONS: 36 X 24 X 48  
DIFFICULTY LEVEL: INTERMEDIATE

## MATERIALS LIST:

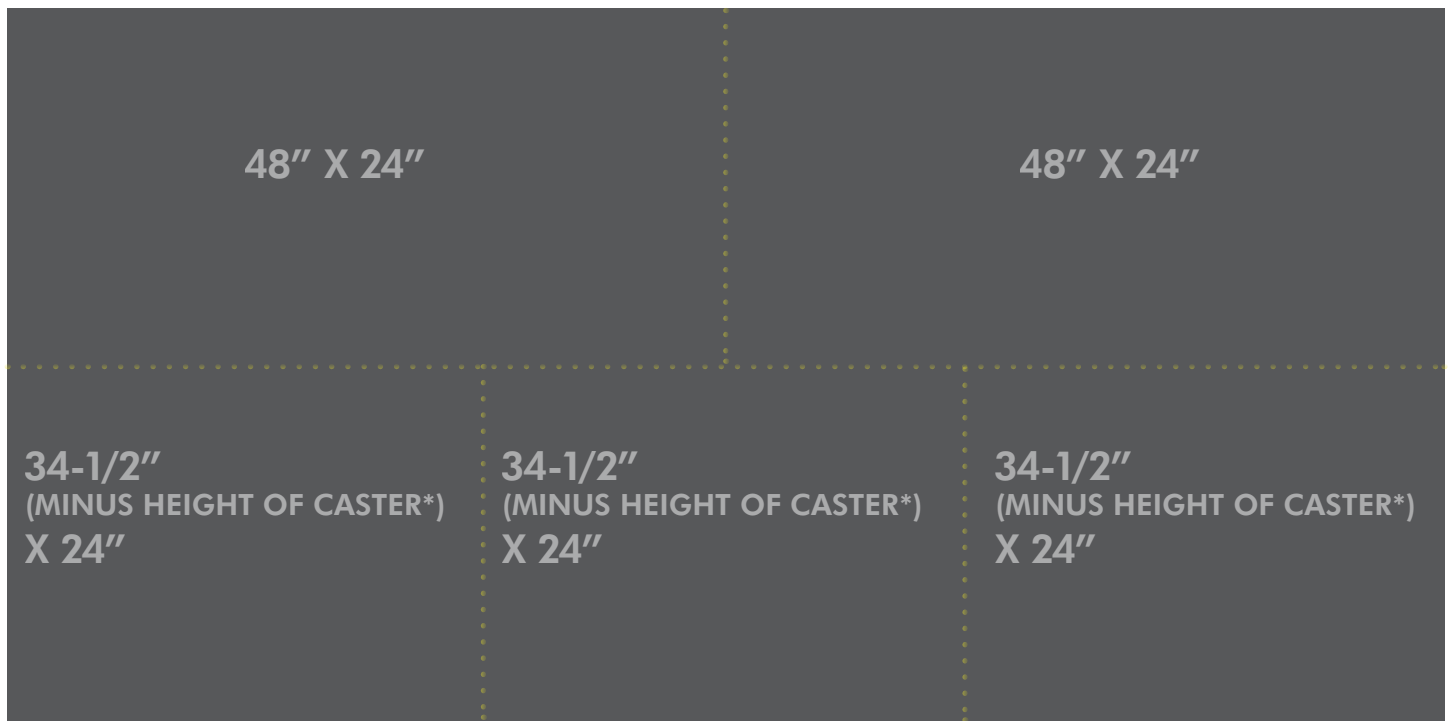
- (2) 48"x96" 3/4" plywood
- (1) 48"x48" 1/4" plywood
- (4) Locking caster wheels (minimum 2-1/2" tall)
- (40) 1-1/4" coarse thread pocket hole screws
- (50) 18 gauge brad nails
- (1) Wood glue

## RECOMMENDED TOOLS:

- Table saw or circular saw
- Drill/driver
- 18 Gauge brad nailer
- Pocket hole tool
- Pocket hole drill bit

## LUMBER CUT LIST:

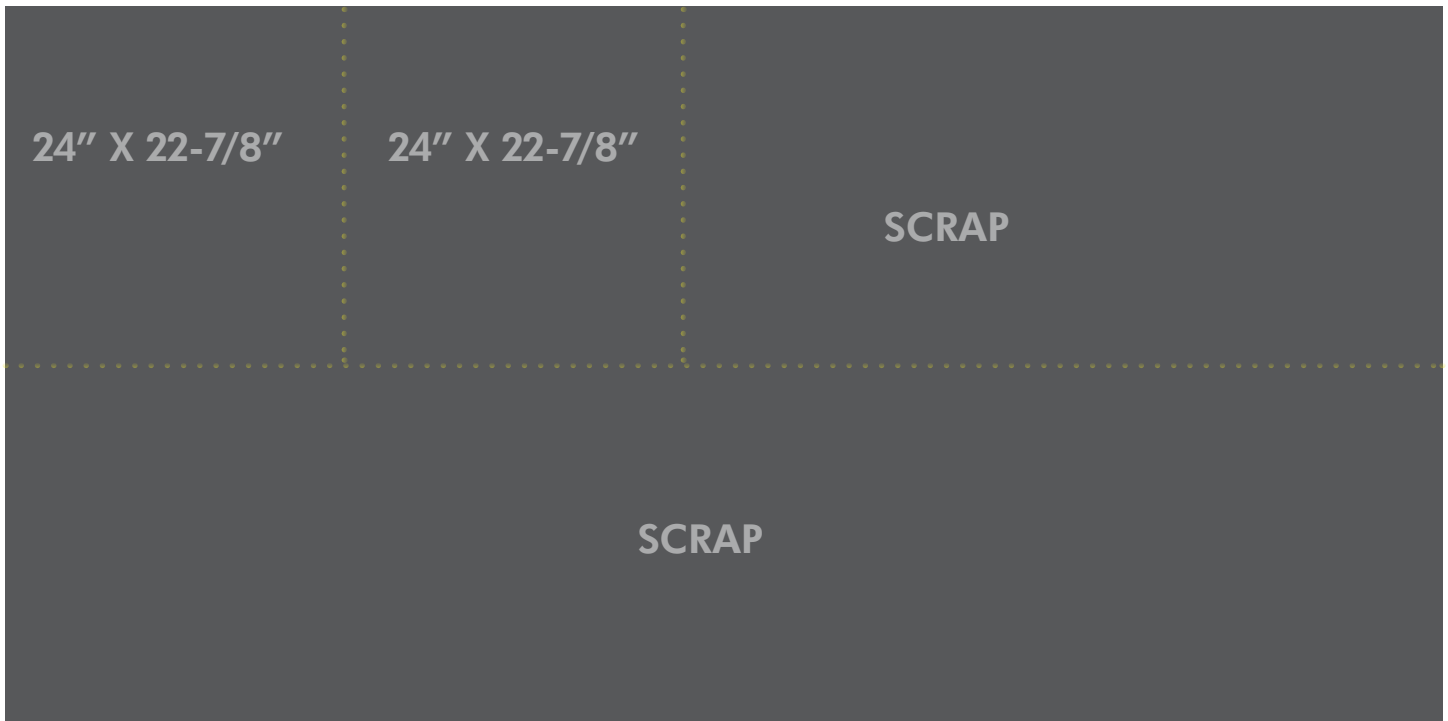
### 3/4" PLYWOOD



\*HEIGHT OF CASTER WHEELS MUST BE AT LEAST 2-1/2" TALL

# LUMBER CUT LIST:

## 3/4" PLYWOOD



## 1/4" PLYWOOD



\*HEIGHT OF CASTER WHEELS  
MUST BE AT LEAST 2-1/2" TALL

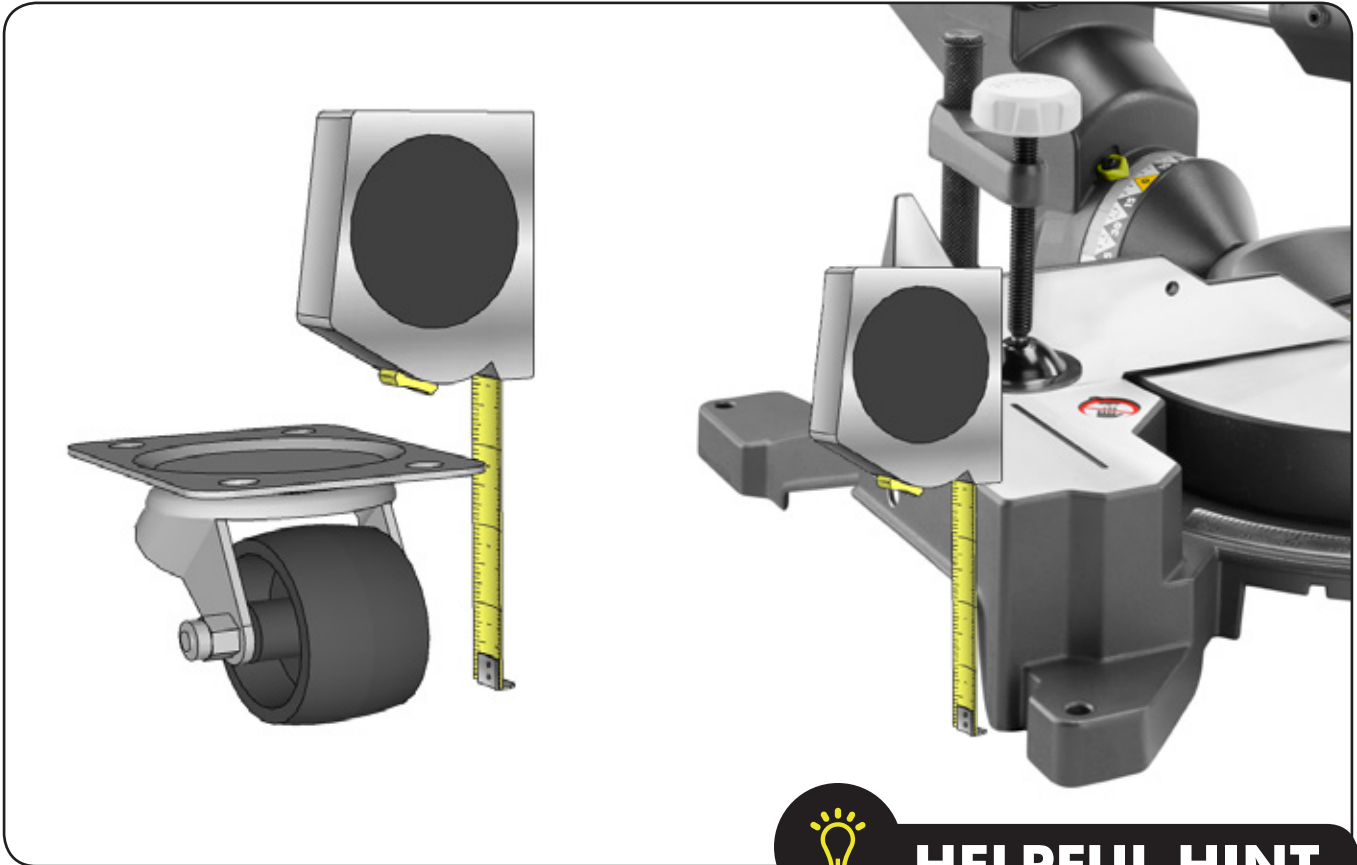
## ASSEMBLY:

1

Rip 3/4" plywood into strips 24" wide by 8 feet long using either a table saw or circular saw.

2

Measure height of caster wheels and height of the miter saw deck. Subtract these measurements from 34-1/2". From the 24" wide strips, cut three pieces to this length.



### HELPFUL HINT

The Home Depot stores will make complimentary plywood cuts.

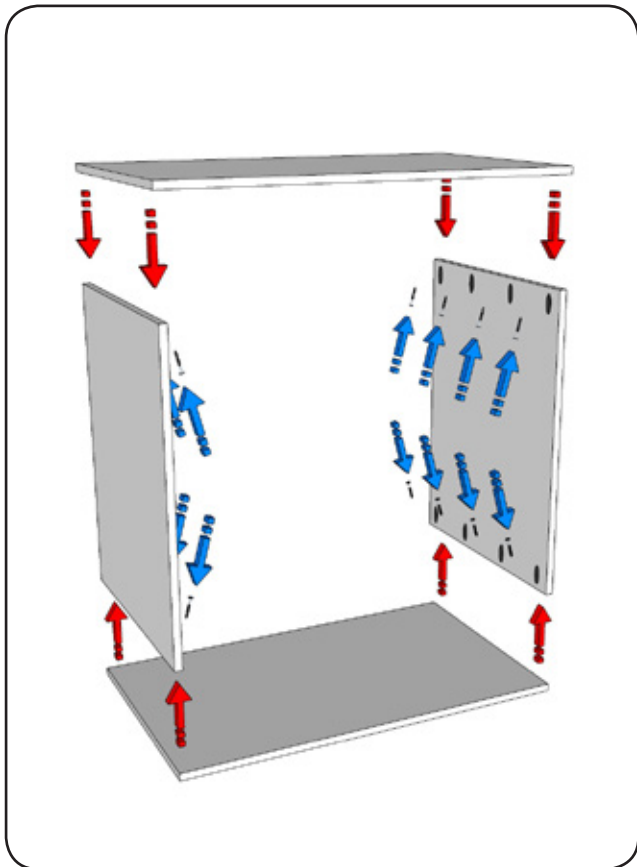
3

Cut remaining pieces according to cut list.

## ASSEMBLY:

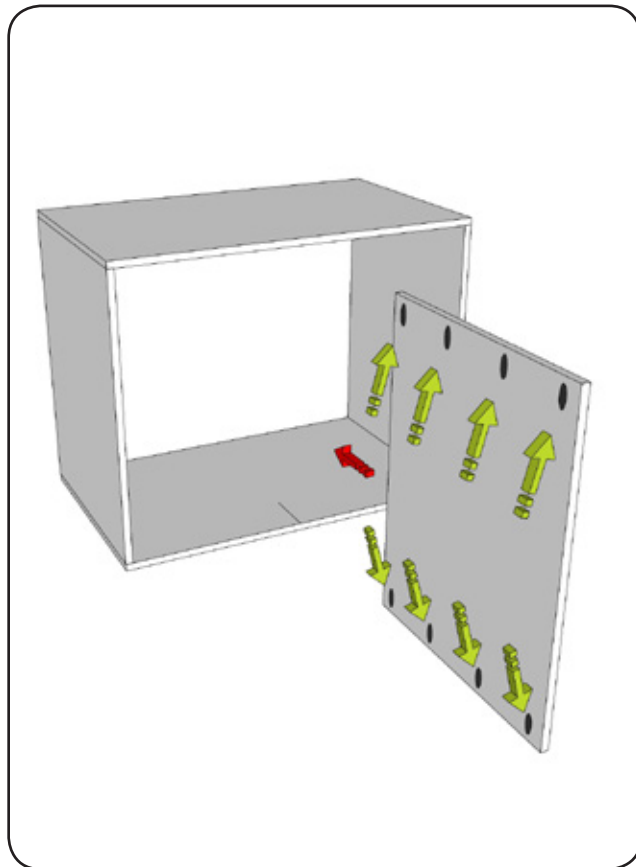
4

Drill four 3/4" pocket holes on each end (measuring 24" long) of the side/divider pieces. Attach sides to top and bottom with 1-1/4" pocket hole screws.



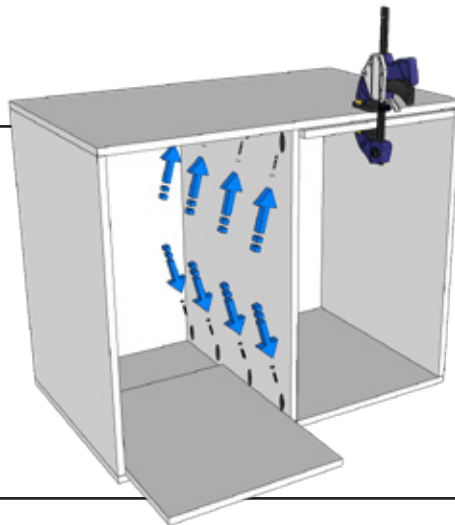
5

Mark center of top/bottom. Attach divider to top and bottom with 1-1/4" pocket hole screws.



### HELPFUL HINT

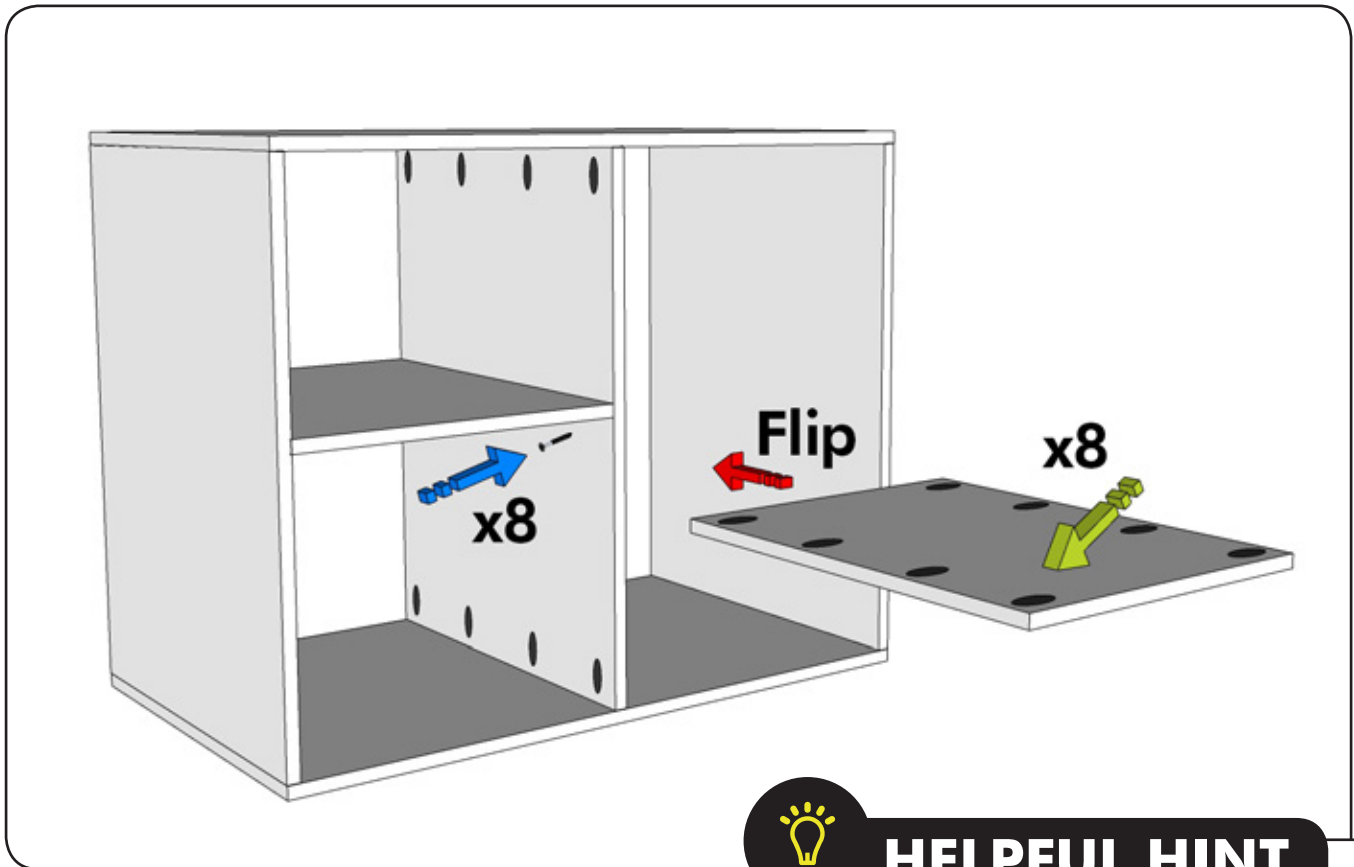
When attaching divider, use the shelves as a guide to place the divider.



## ASSEMBLY:

6

Drill four 3/4" pocket holes on each end (measuring 24" long) of the shelves. Attach between divider and sides.



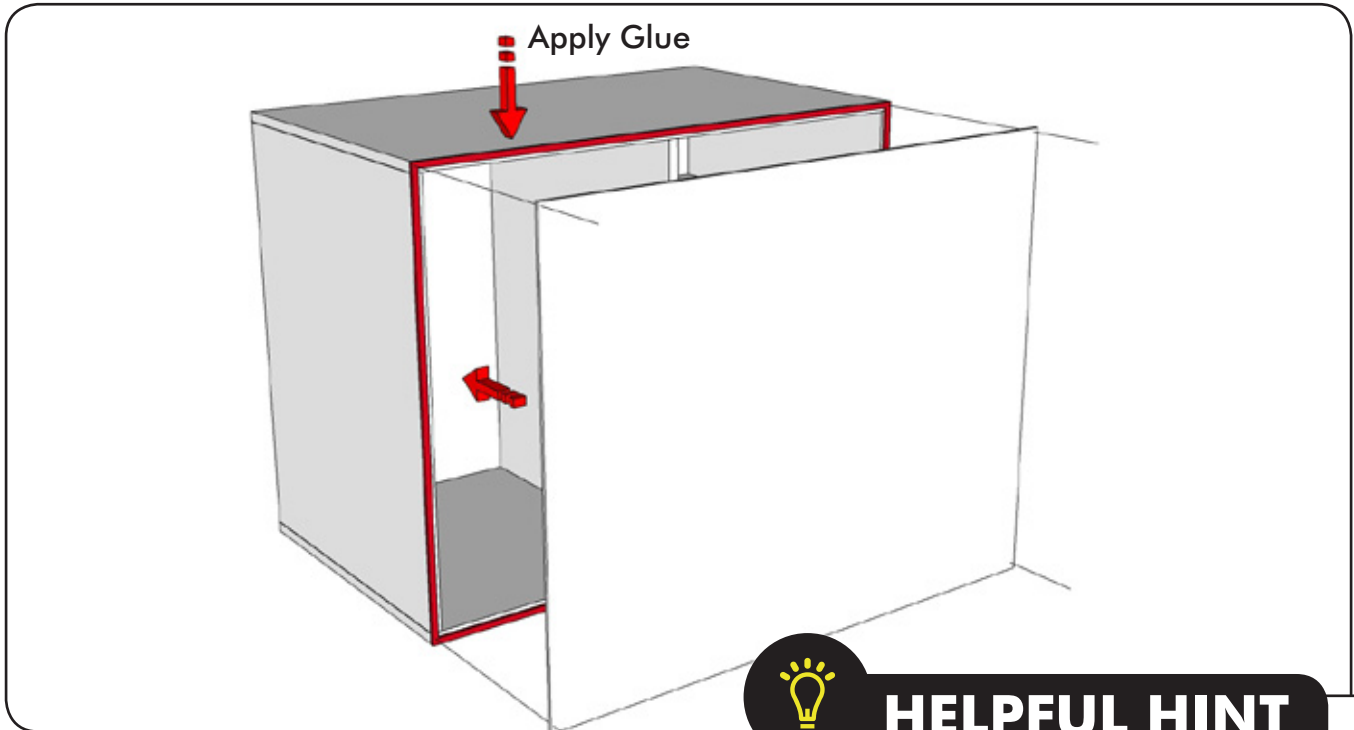
### HELPFUL HINT

Set shelf heights custom for your storage needs.

# ASSEMBLY:

7

Apply glue to back edges of the cart.  
Attach back with 3/4" brad nails.



## HELPFUL HINT

We used a total of 50 brad nails to ensure a strong fit to glued back.

8

Install caster wheels at base of cart.

