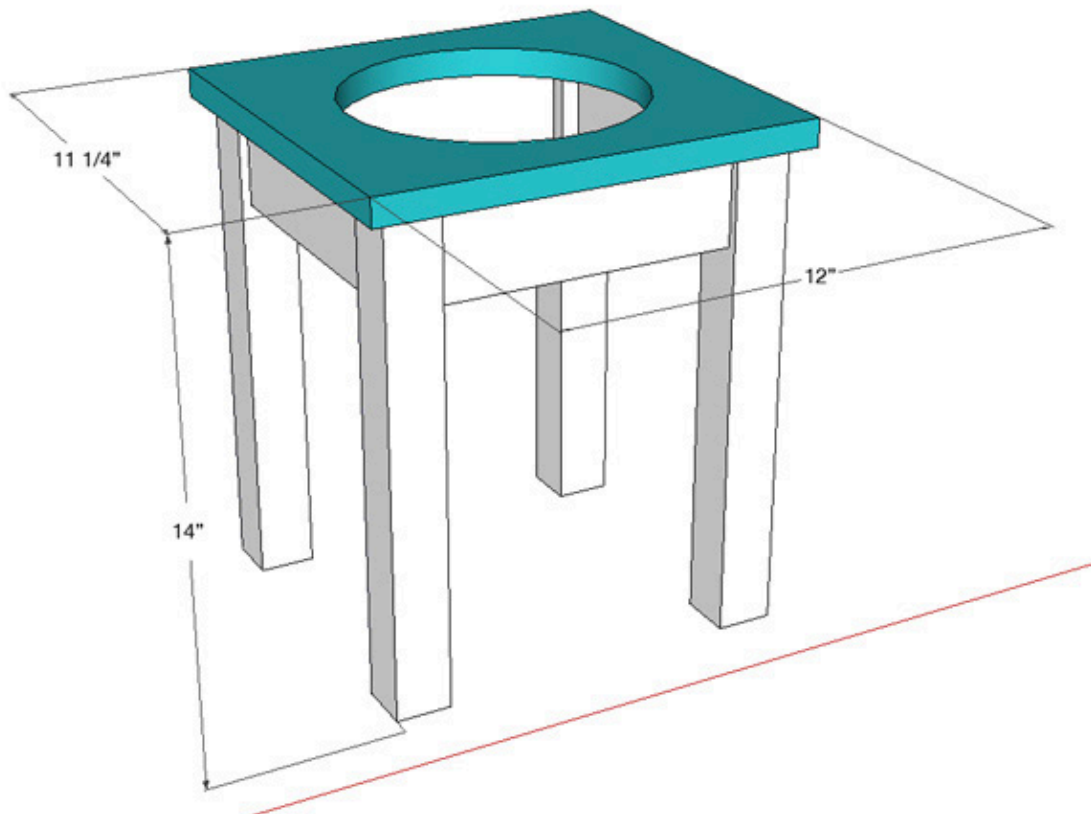


Single Bowl Raised Feeder

by Charissa @ orangesugar



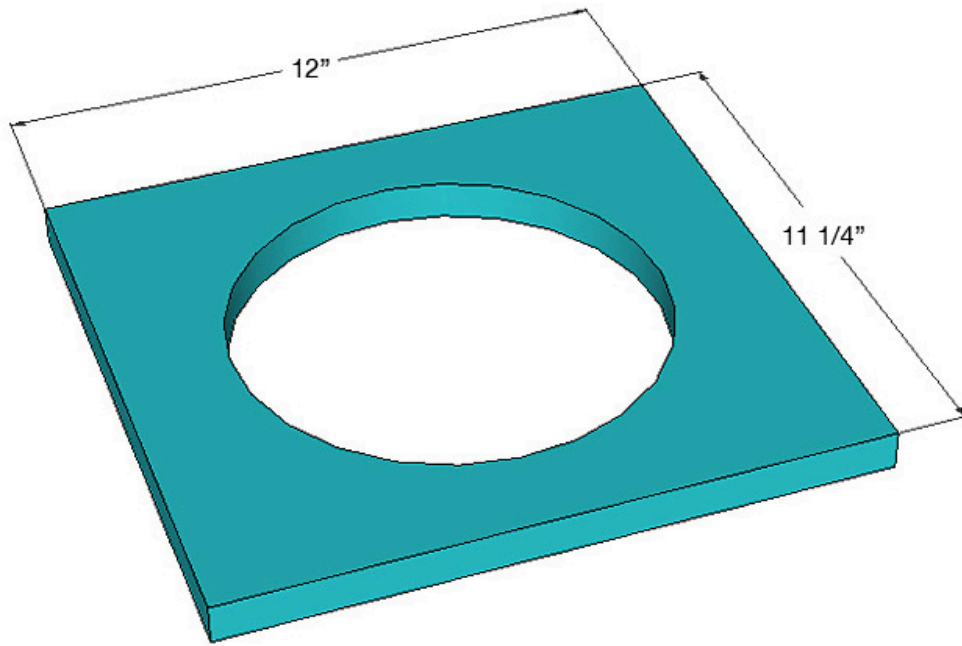
Dimensions: 11 1/4" w x 14" h x 12" d

MATERIALS LIST

- 1 x 12 @ 12"
- 1 x 2 @ 30 1/2"
- 2 x 2 @ 53"
- 64-oz. Basic Stainless Bowl from Petco

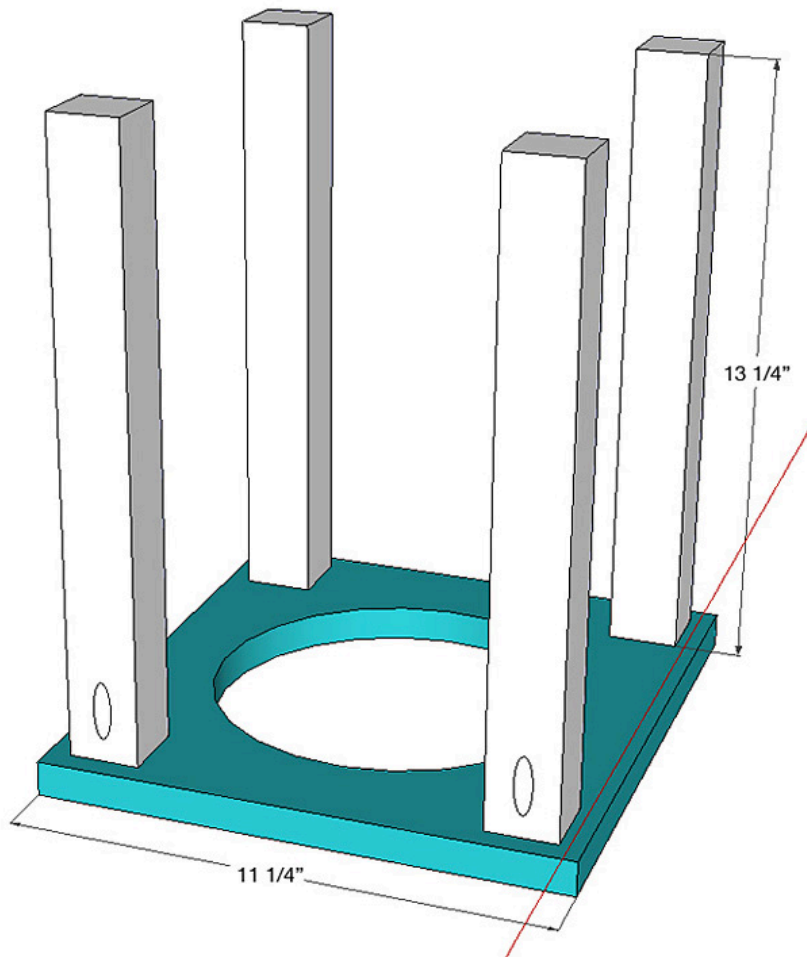
CUT LIST

- 1 - 1x12 @ 12" (Top)
- 2 - 1 x 3 @ 7 1/4" (Front and Back Boards)
- 2 - 1 x 3 @ 8" (Side Boards)
- 4 - 2 x 2 @ 13 1/4" (Legs)



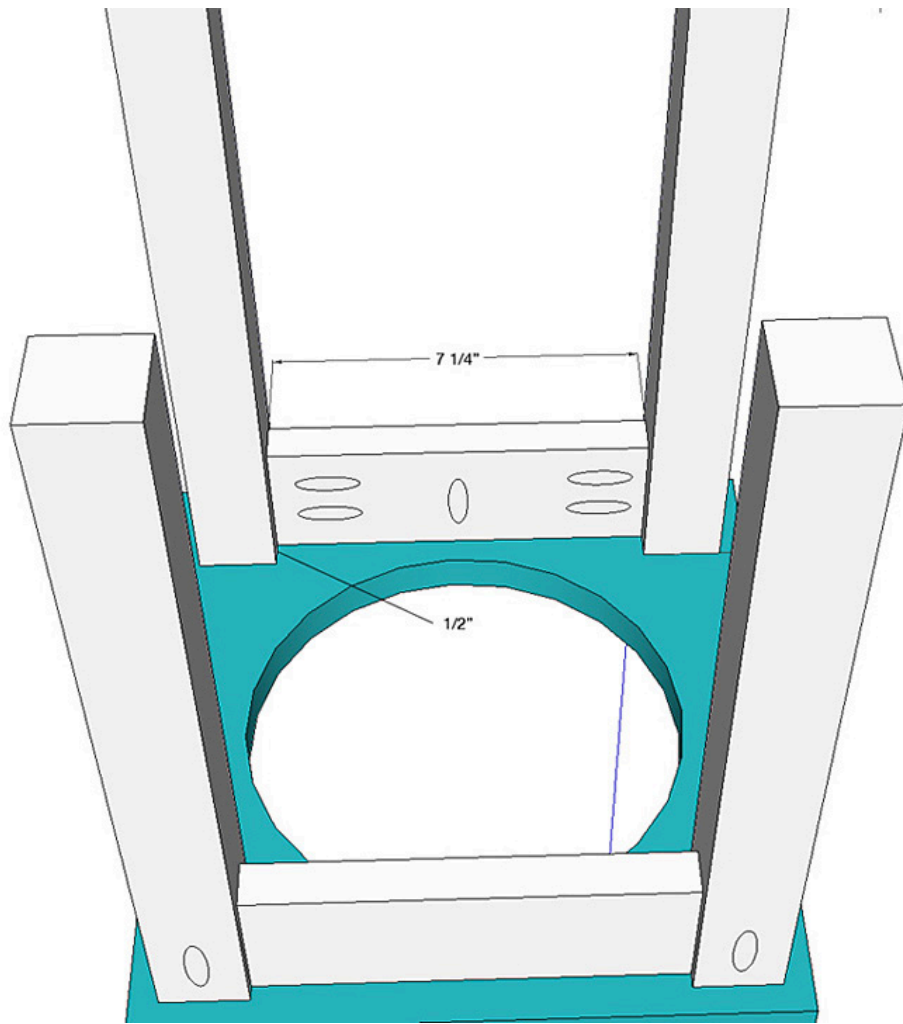
STEP 1

Use your jigsaw to cut a circle for the bowl. The bowl I am using for this plan is 8 1/2" in diameter and I am cutting out an 8" circle to leave a 1/2" lip for the bowl to rest on. If you have a compass laying around, that can help with your circle drawing.



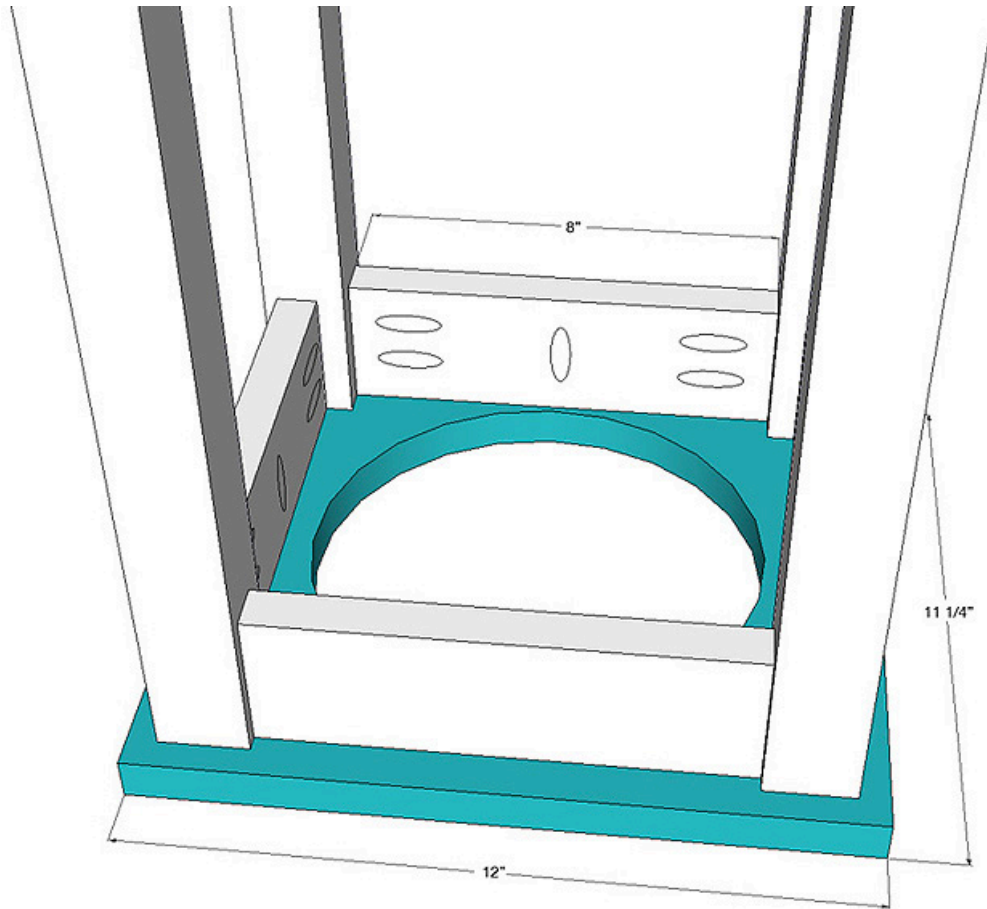
STEP 2

Using one pocket hole per 2x2 (see image for placement) glue and screw each leg to the top. Inset each leg 1/2" from the front and side.



STEP 3

Attach front and back boards to legs and top using pocket holes. Each board should be inset $1/4$ " , which will leave $1/2$ " of the leg showing on the inside.



STEP 4

Attach side boards to legs and top using pocket holes. Each board should be inset $\frac{1}{4}$ " , which will leave $\frac{1}{2}$ " of the leg showing on the inside.

FINISHING INSTRUCTIONS

Fill exposed pocket holes on each leg with filler of choice or pocket hole plugs, and paint or stain as desired.