

Twin Farmhouse Bed

[View \(/woodworking-projects/twin-farmhouse-bed\)](/woodworking-projects/twin-farmhouse-bed)

[Edit \(/node/194/edit\)](/node/194/edit)

[Delete \(/node/194/delete\)](/node/194/delete)

SUBMITTED BY ANA WHITE (/USERS/ANA-WHITE) ON SUN, 02/20/2011 - 22:08



Difficulty: **Intermediate**

If you are looking for a classic farmhouse style bed for your child's room, this is the project for you. Featuring simple styling, large headboard and footboard tops, substantial legs, sturdy siderails, and the option to go with or without a boxspring, this beautiful bed is definitely worth your sweat!

Special thanks to Kristine for sharing her photos.

Dimensions



Fits twin sized mattress

Preparation

SHOPPING LIST

Shopping List for Headboard and Footboard

2 - 4x4 Posts (8' Length)

4 - 1x4 (8' Length)

4 - 1x6 (8' Length)

1 - 2x4 (8' Length)

1 - 2x6 (8' Length)

Shopping List for Rails (If you do not have a metal frame already)

3 - 2x4 (Can be stud length or 8' length)

2 - 1x10 (8' length)

2x2s if you need slats

COMMON MATERIALS

3 inch screws

1 1/4 inch finish nails

Elmer's Wood Glue (<http://elmers.com/diy>)

Elmer's Wood Filler (<http://elmers.com/products/wood-filler-and-other-repair?filters=construction#>)

120 grit sandpaper

primer

wood conditioner

paint

paint brush

CUT LIST

Headboard

- A) 2 – 4×4 Posts @ 54" (Legs)
- B) 4 – 1×4 @ 38 1/2" (Panel Trim)
- C) 7 – 1×6 @ 30" (Planks for Panel)
- D) 1 – 2×4 @ 45 1/2" (Top of Legs and Panel)
- E) 1 – 2×6 @ 47 1/2" (Top of Headboard)

Footboard

- F) 2 – 4×4 Posts @ 21" (Legs)
- G) 4 – 1×4 @ 38 1/2" (Panel Trim)
- H) 7 – 1×6 @ 15" (Planks for Panel)
- I) 1 – 2×4 @ 45 1/2" (Top of Legs and Panel)

- J) 1 – 2×6 @ 47 1/2" (Top of Footboard)

Side Rails

- K) 2- 2×4 @ 80 1/2" (Side Rail Cleats)
- L) 2- 1×10 @ 76 1/2" (Side Rail Trim)
- M) 2 – 2×4 @ 35 1/2" (Rails Supports on Headboard and Footboard)

CUTTING INSTRUCTIONS

Because board widths can vary, check to make sure your 1x6 boards measure 5 1/2" wide. If they do not, you may need to adjust the width of your panel trim boards, and the header boards. Best advice is to lay out the panel boards first, take a measurement (consider that twin beds are 39" wide, but there is a little room for play in there) and adjust the remaining cuts accordingly.

TOOLS



Tape Measure



Speed Square



Pencil



Safety Glasses



Ear Protection



Drill



Circular Saw



Brad Nailer



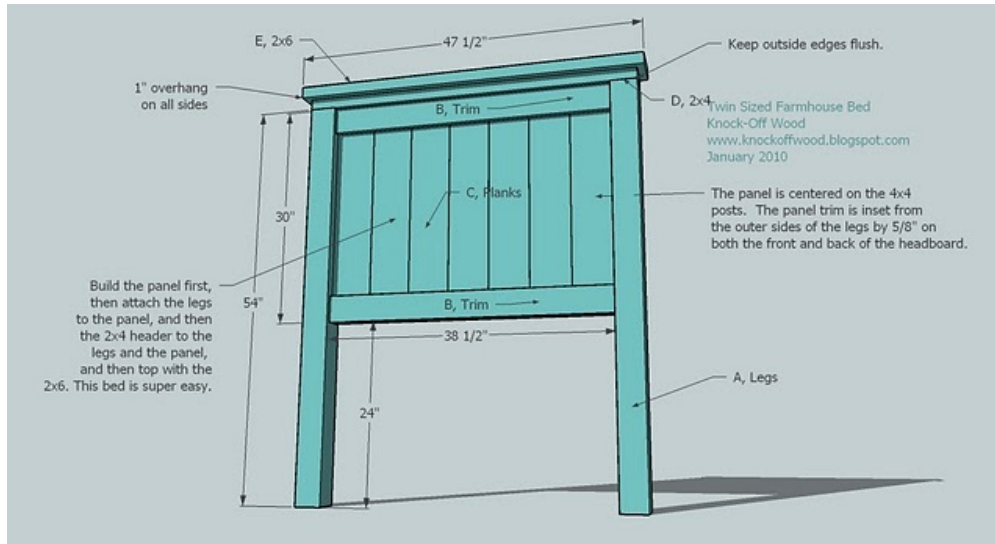
Sander

GENERAL INSTRUCTIONS

Please review the plans for the Queen Sized Farmhouse bed with Arch and the plans for the Queen Sized Farmhouse Bed. Because the building process is essentially the same, I will just provide information on how to modify the existing plan for the queen sized farmhouse bed.

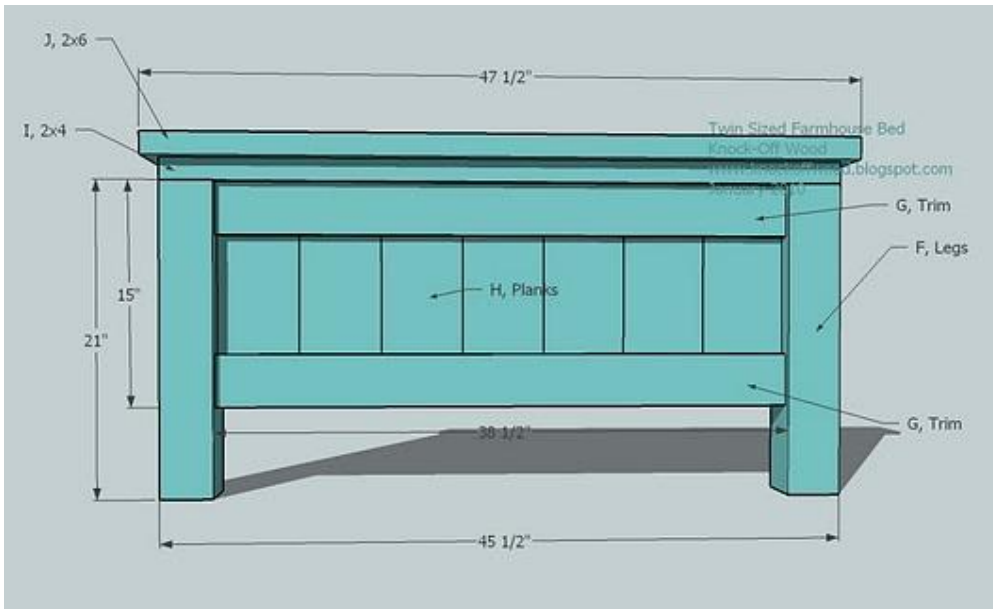
Instructions

STEP 1



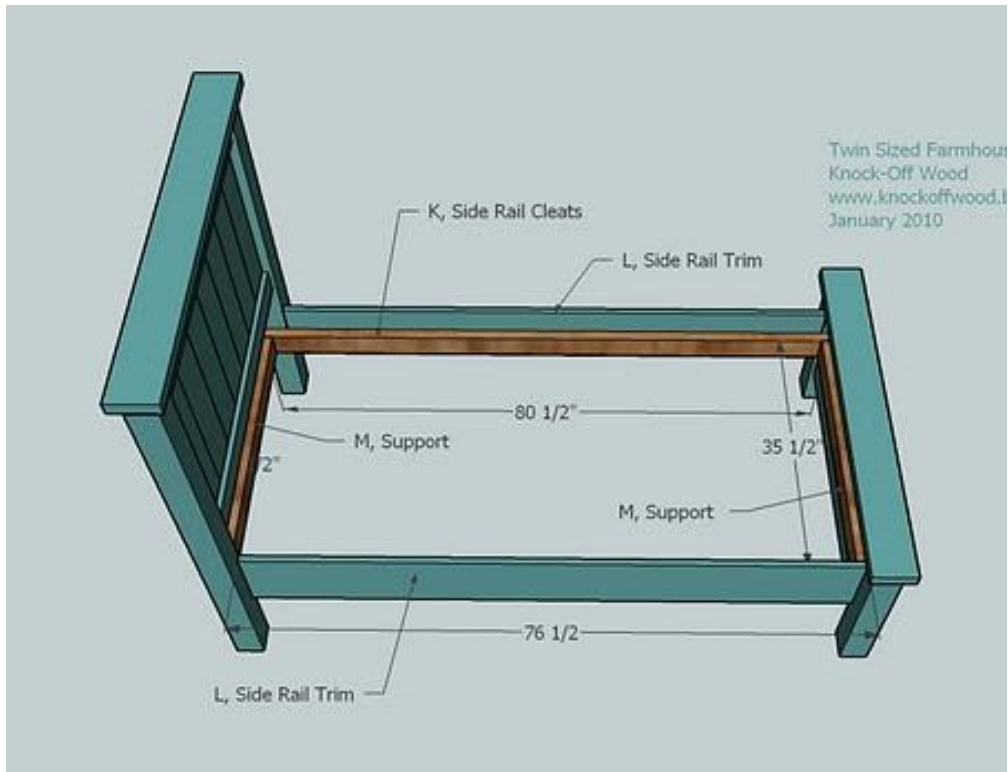
Build the headboard by first lining all the panel boards out and attaching the panel trim boards with 1 1/4" nails and glue. Attach from the back to hide holes. Then attach the panel to the legs, then attach the 2x4 header to the legs (top) and panel (top) followed by the 2x6 header centered on the top of the headboard.

STEP 2



If you already have a metal frame and boxspring, you are done with the building process. If you have a box spring, you can make the side rails as shown below. Also, you can choose the heights of your rails and cleats depending on the thickness of your mattresses and box springs, and whether or not you want underbed storage or trundle.

STEP 3



Top view of the side rails.

STEP 4



If you do not have a box spring, you can place 2x2 every six inches on top of the side rail cleats. Screw in place. Then add mattress to the top.

Add new comment (/woodworking-projects/twin-farmhouse-bed#comment-form) 6543 views