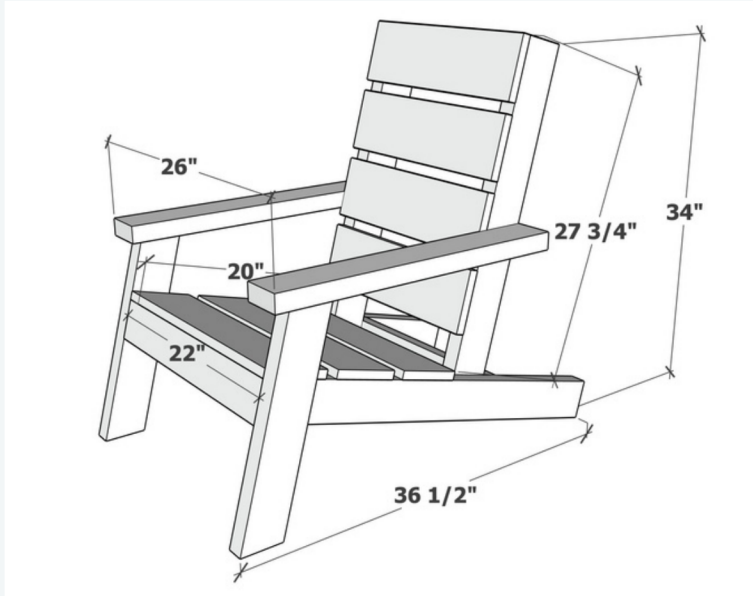


# Ultimate Outdoor Chair Plans

## by Ana White



### Shopping List

- 3 - 2x4 @ 8 feet long
- 1 - 1x6 @ 12 feet long
- 1-3/4" and 2-1/2" self tapping exterior wood screws

### Cut List

- 2 - 2x4 @ 33-3/4" - seat stringers
- 1 - 2x4 @ 22" - front seat apron
- 1 - 2x4 @ 19" - seat back support
- 3 - 1x6 @ 22" - seat boards
- 2 - 2x4 @ 32" - back supports
- 4 - 1x6 @ 19" - back boards
- 2 - 2x4 @ 18-1/2" - long point to short point measurement, both ends cut at 15 degrees off square, ends ARE parallel
- 2 - 2x4 @ 26-1/4" - arm rests

### Plan Notes

- Recommend Douglas Fir lumber
- Exterior penetrating stain
- Cut boards using a miter saw
- Sand and prefinish boards before assembly
- Use self tapping star bit screws
- Work on a flat, level surface, especially important when attaching arms

